



US 20180037295A1

(19) **United States**

(12) **Patent Application Publication**
BEALE

(10) **Pub. No.: US 2018/0037295 A1**

(43) **Pub. Date: Feb. 8, 2018**

(54) **BICYCLE REAR SUSPENSION SYSTEM**

Publication Classification

(71) Applicant: **Level One Engineering LLC**, Portland, OR (US)

(51) **Int. Cl.**
B62K 25/28 (2006.01)
B62K 25/26 (2006.01)

(72) Inventor: **Luther Mac BEALE**, Portland, OR (US)

(52) **U.S. Cl.**
CPC **B62K 25/286** (2013.01); **B62K 25/26** (2013.01)

(73) Assignee: **Level One Engineering LLC**, Portland, OR (US)

(57) **ABSTRACT**

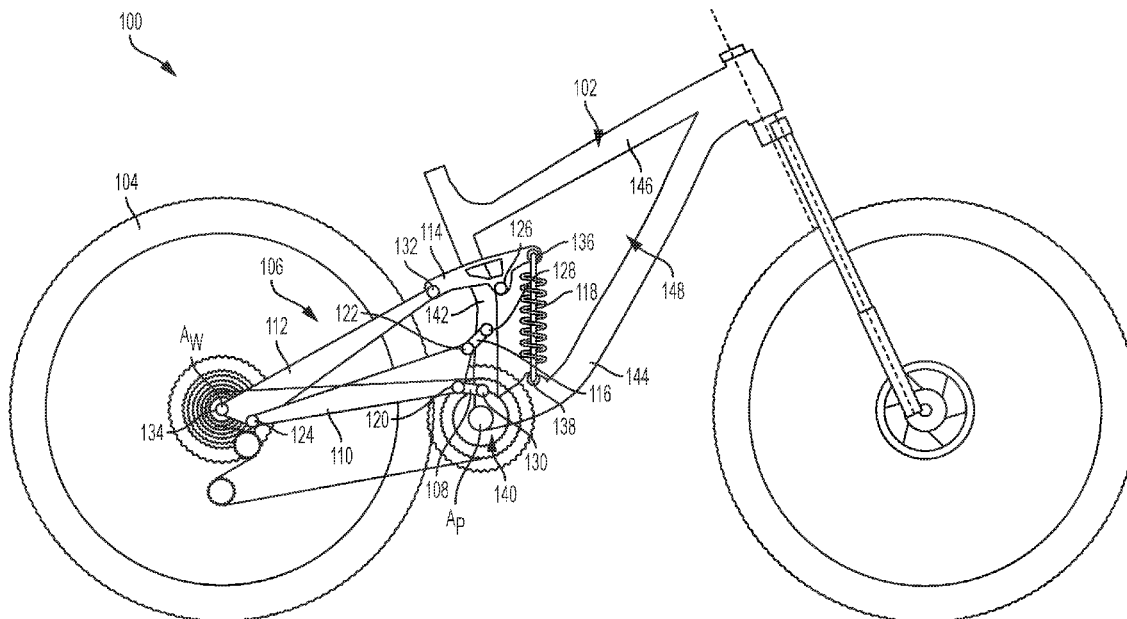
(21) Appl. No.: **15/669,783**

A bicycle may include a front triangle and a rear suspension system that couples the front triangle to a rear wheel and is dampened by at least one shock absorber. The rear suspension system includes a six-bar linkage having two ternary links separated from each other by one or more binary links, such that the two ternary links do not share a common joint. One of the ternary links may comprise a chain stay. In some examples, the other ternary link may comprise a rocker arm coupling a seat stay link to the shock absorber.

(22) Filed: **Aug. 4, 2017**

Related U.S. Application Data

(60) Provisional application No. 62/370,815, filed on Aug. 4, 2016.



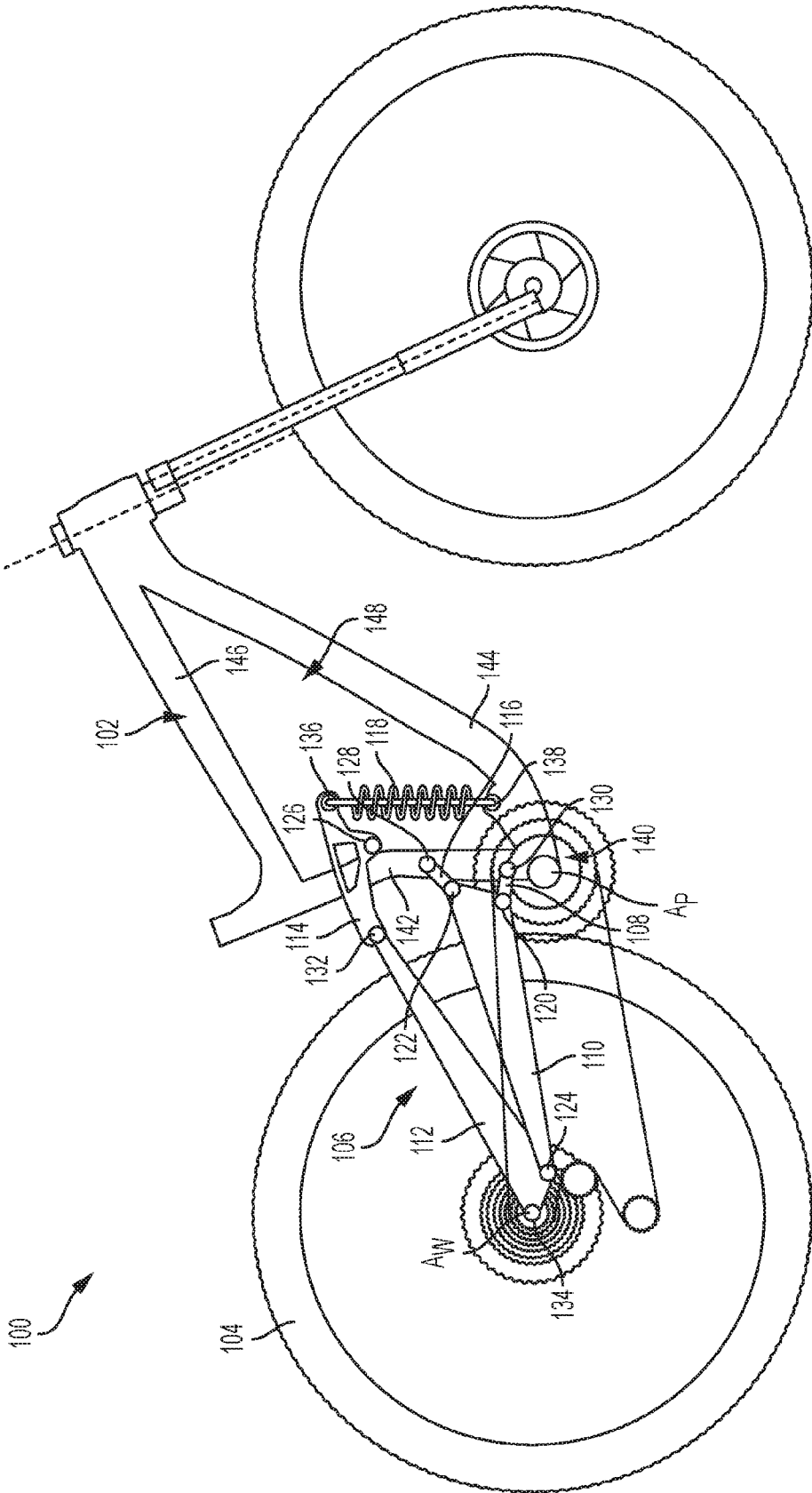


FIG. 1

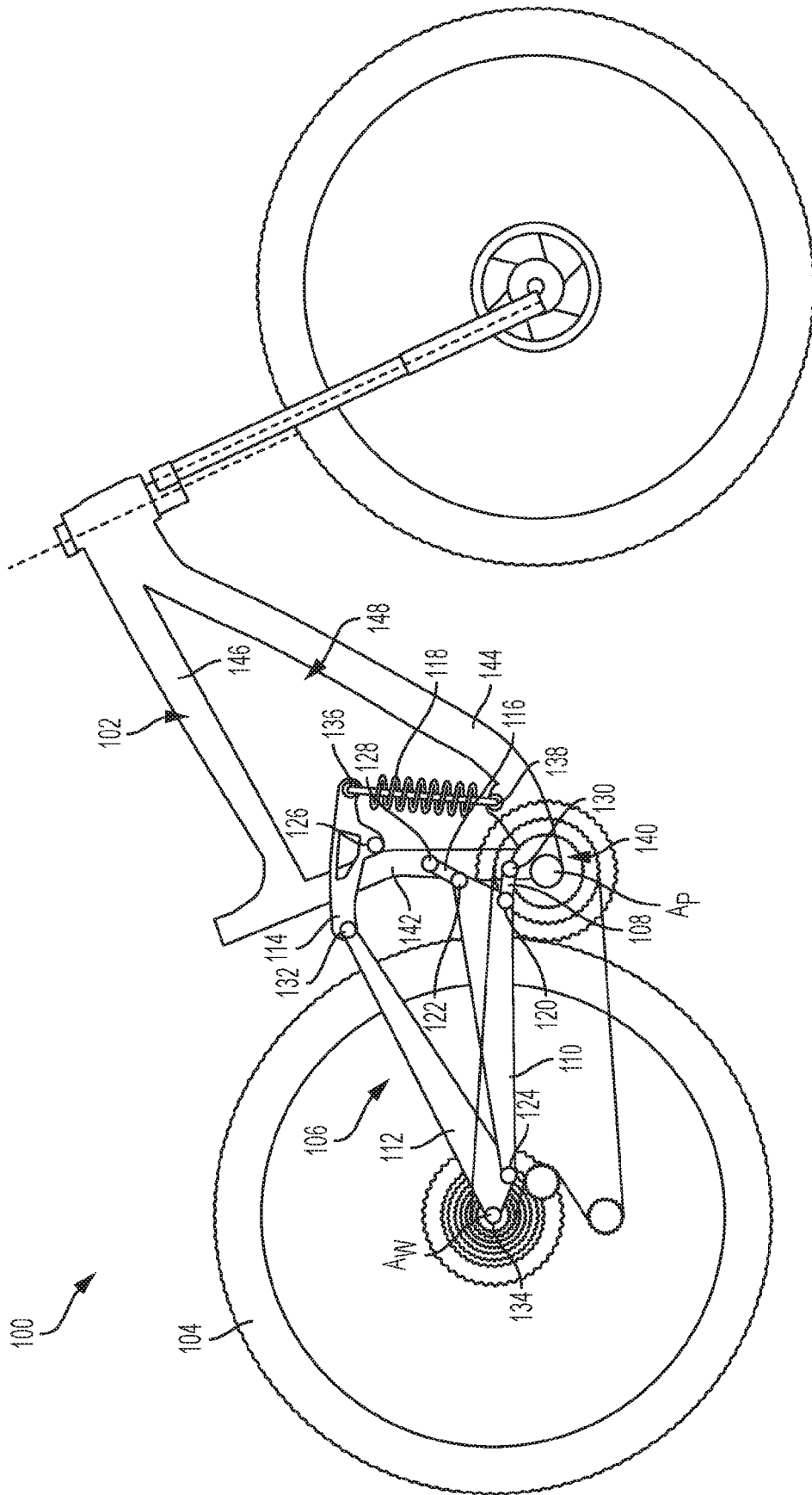


FIG. 2

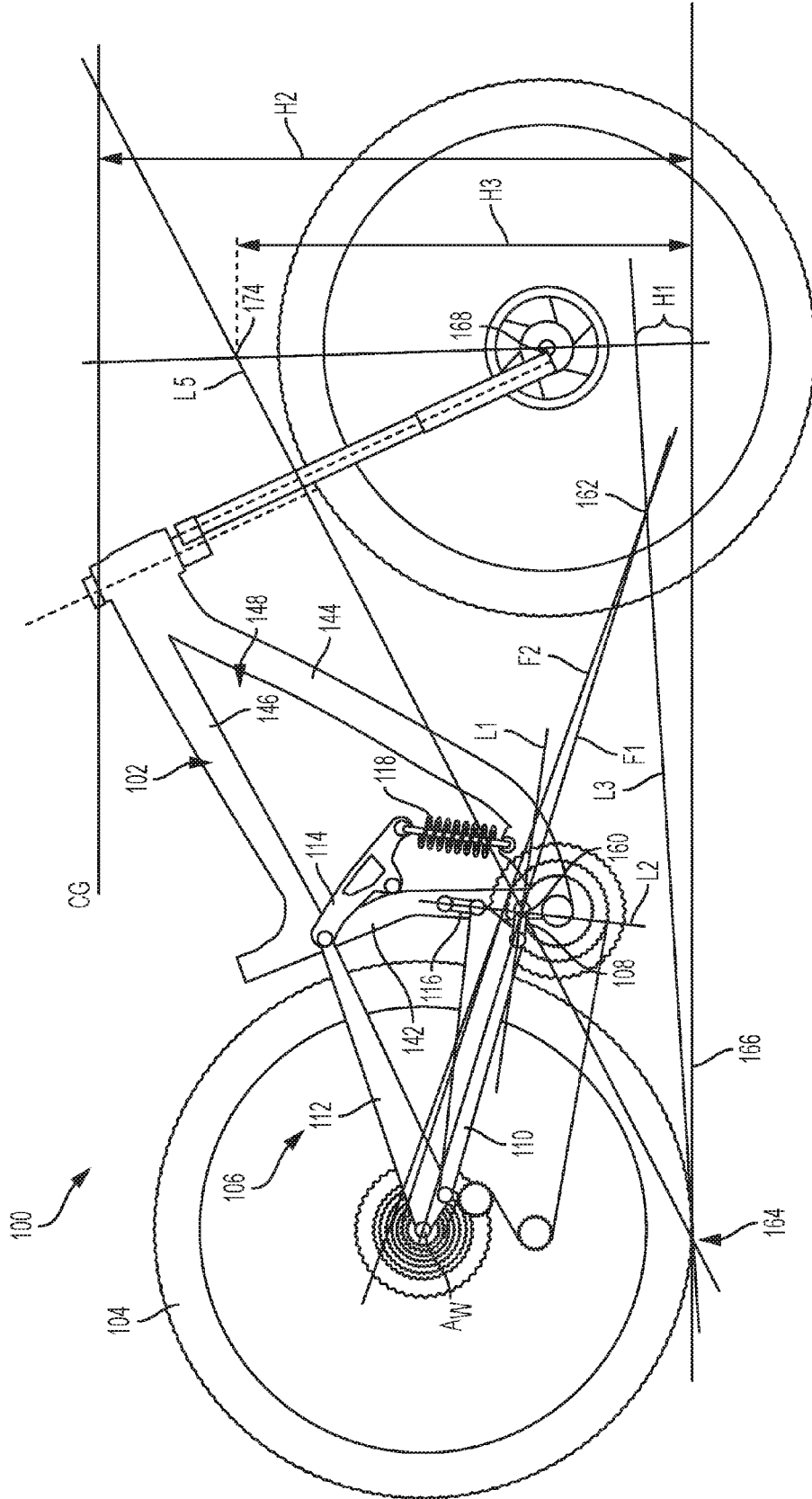


FIG. 3

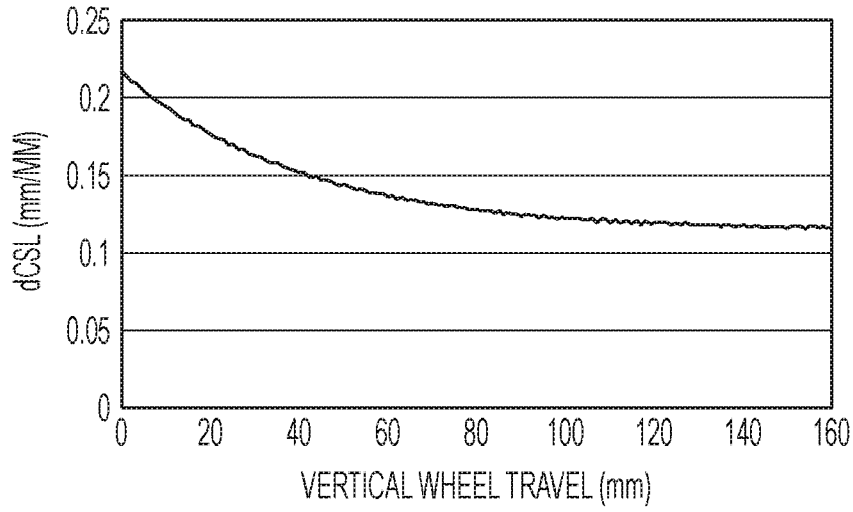


FIG. 4

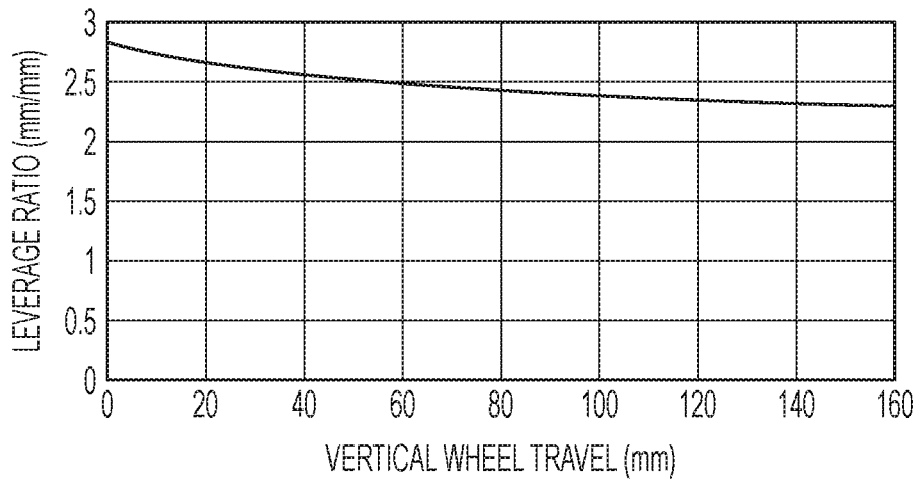


FIG. 5

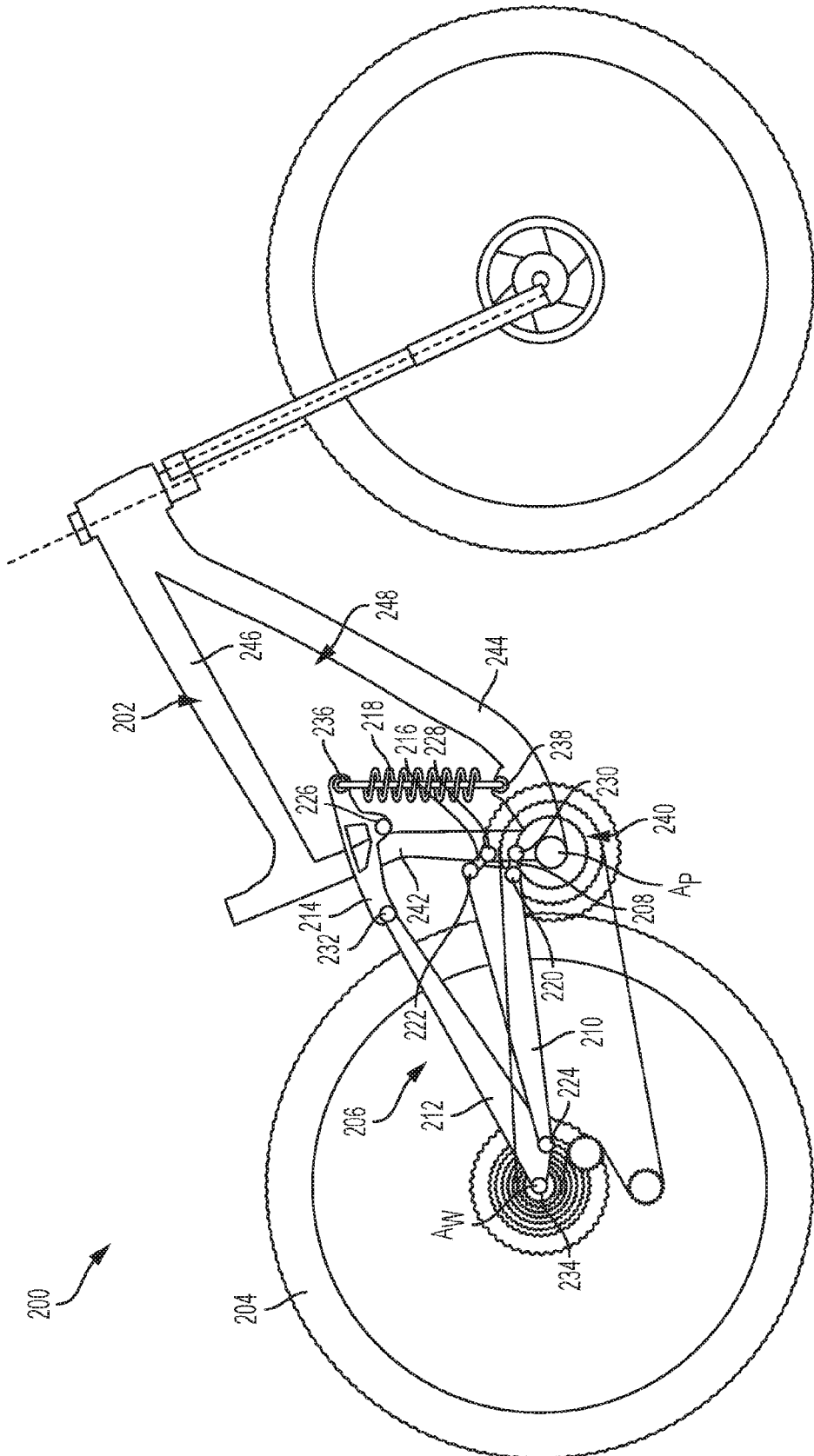


FIG. 6

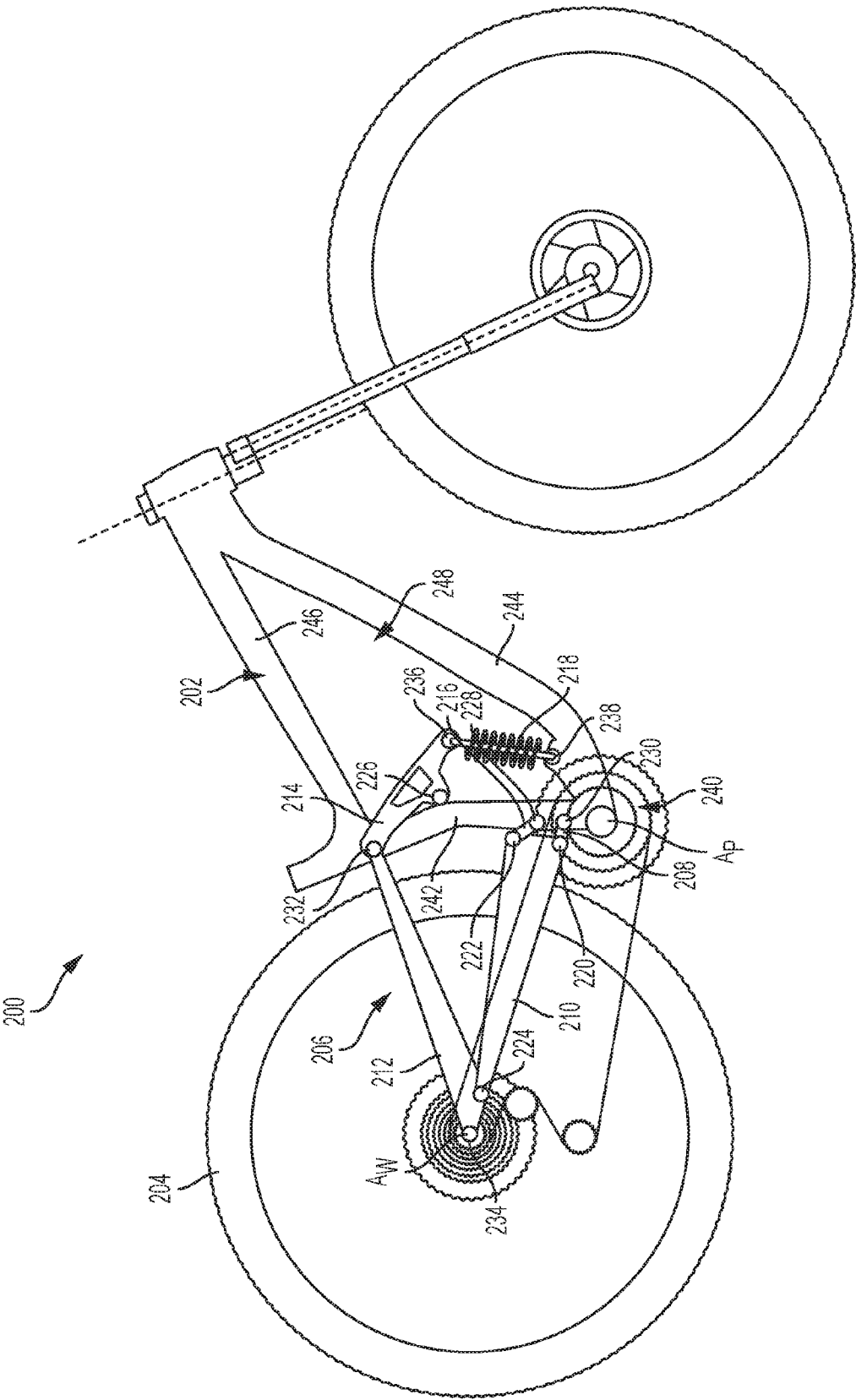


FIG. 7

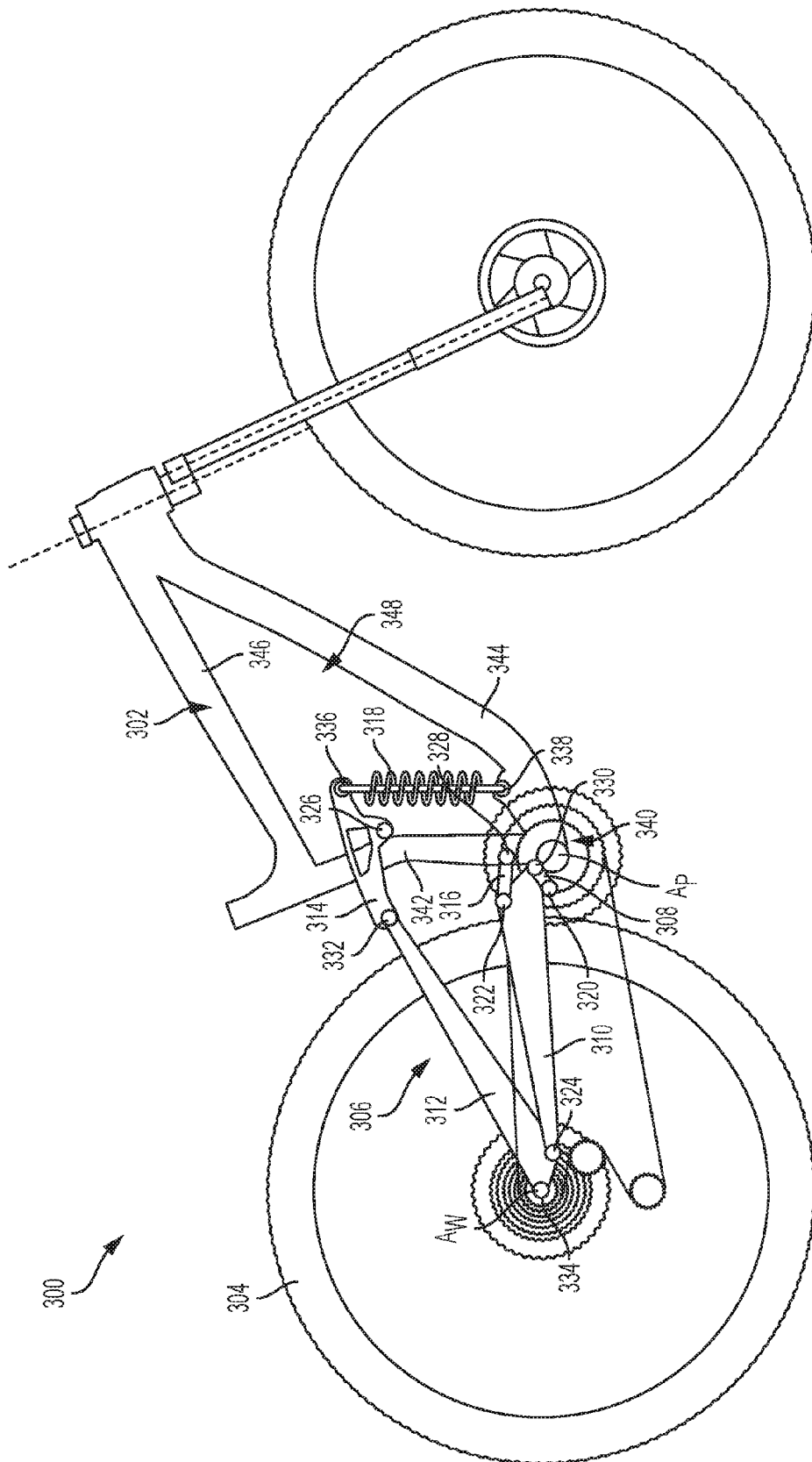


FIG. 8

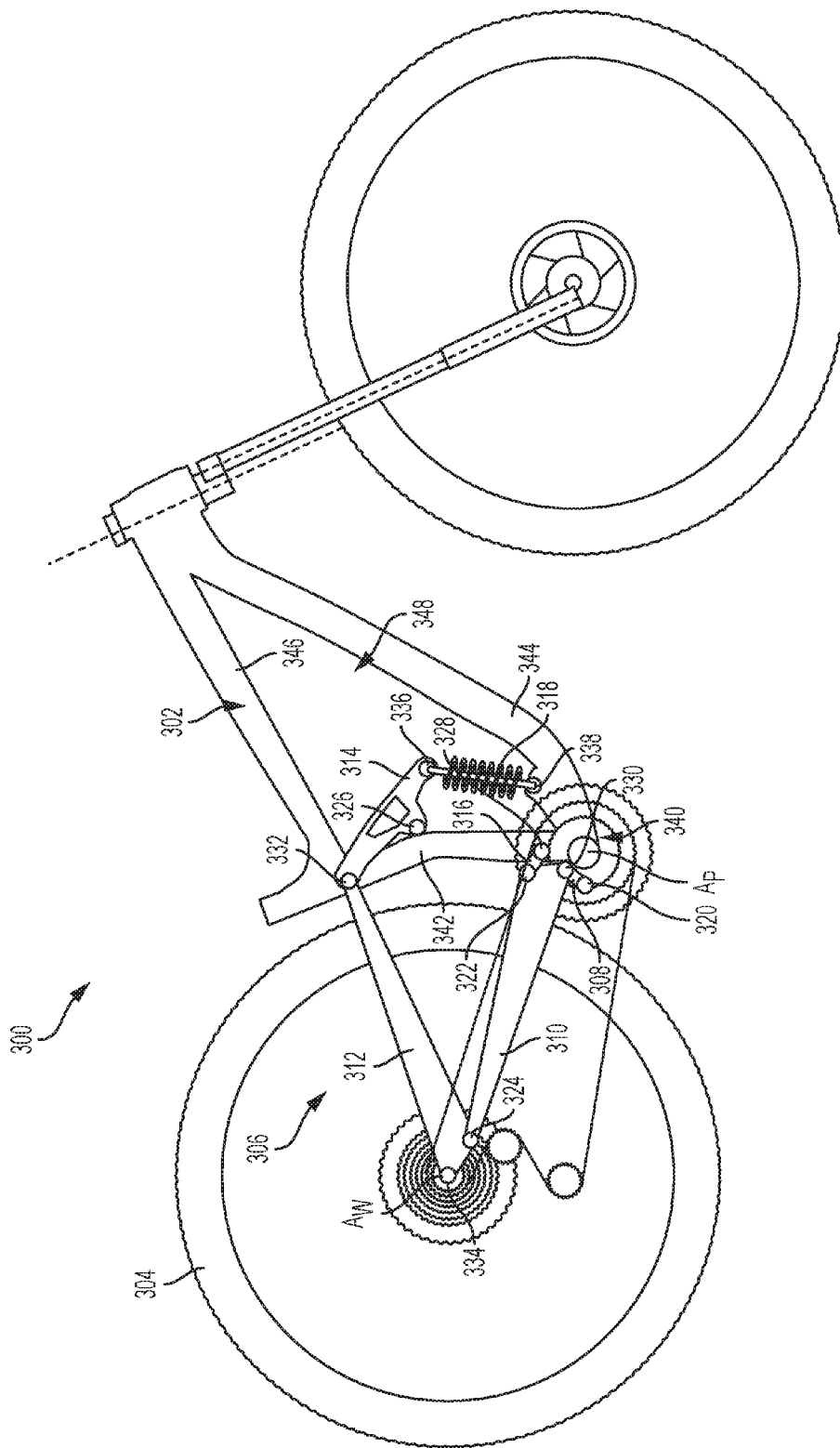


FIG. 9

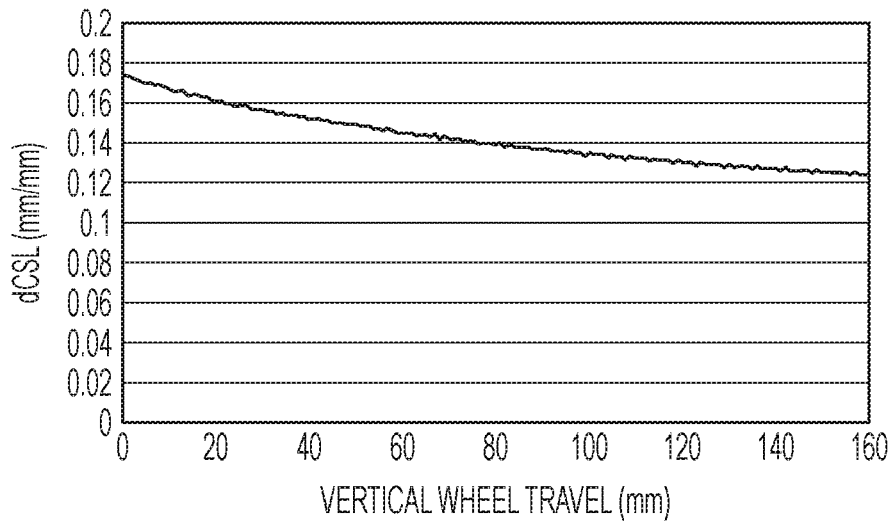


FIG. 10

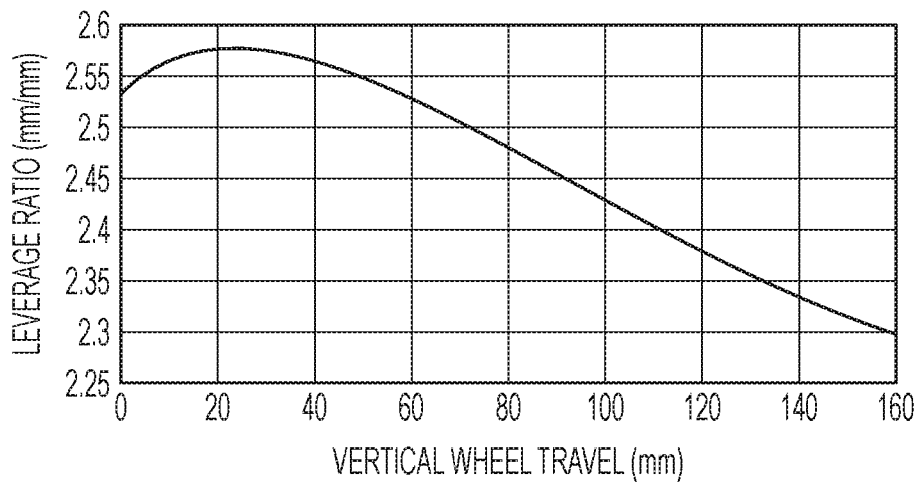


FIG. 11

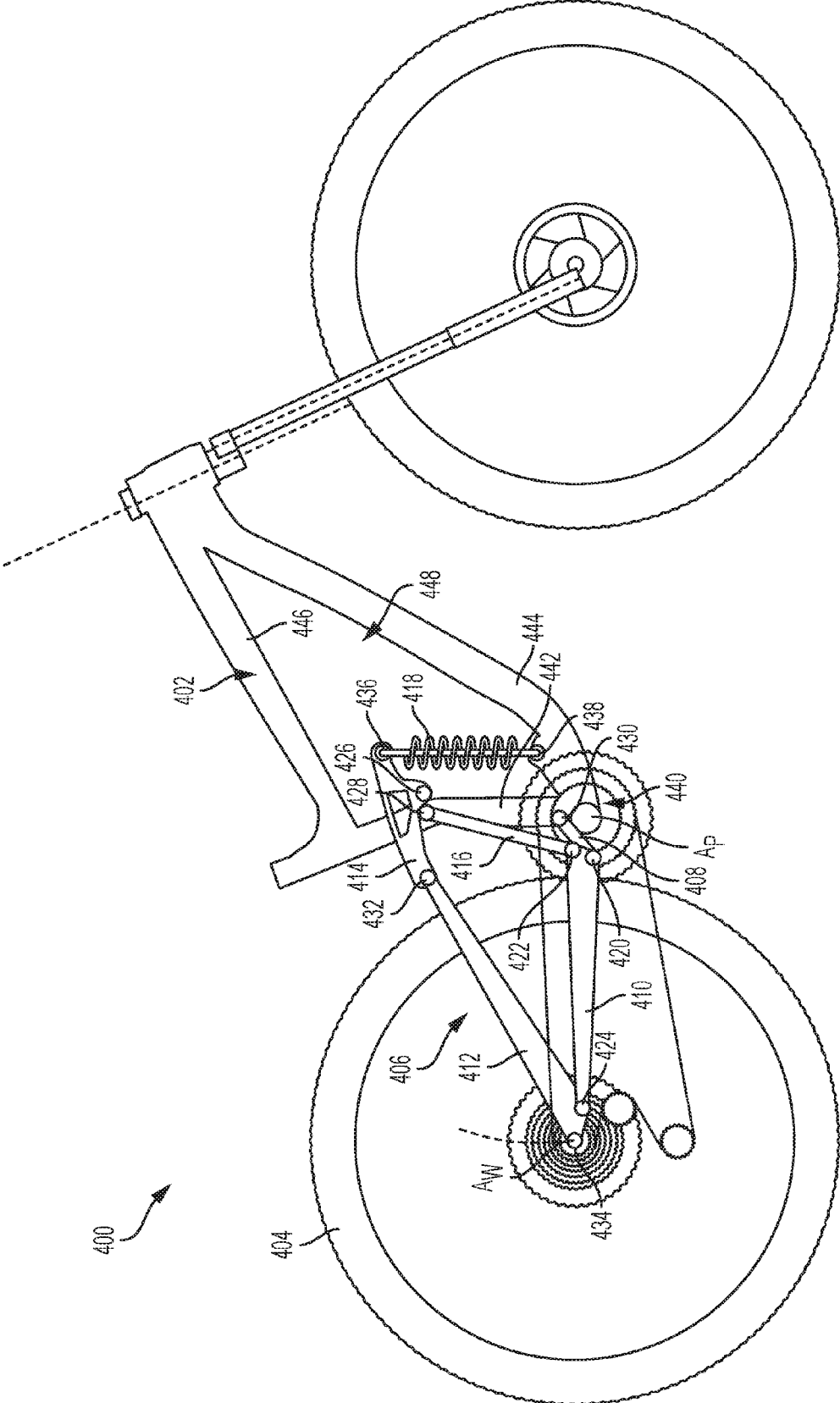


FIG. 12

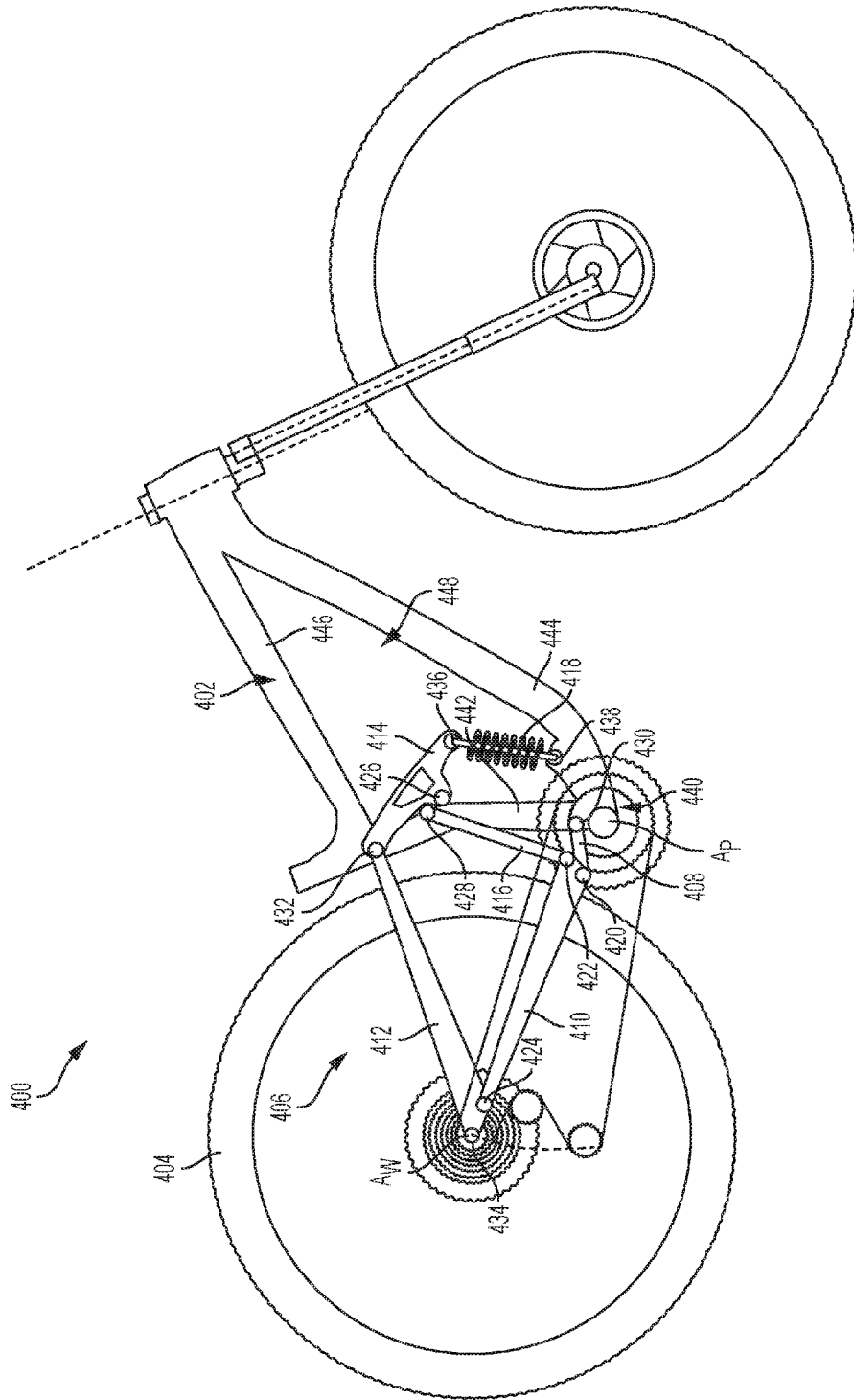


FIG. 13

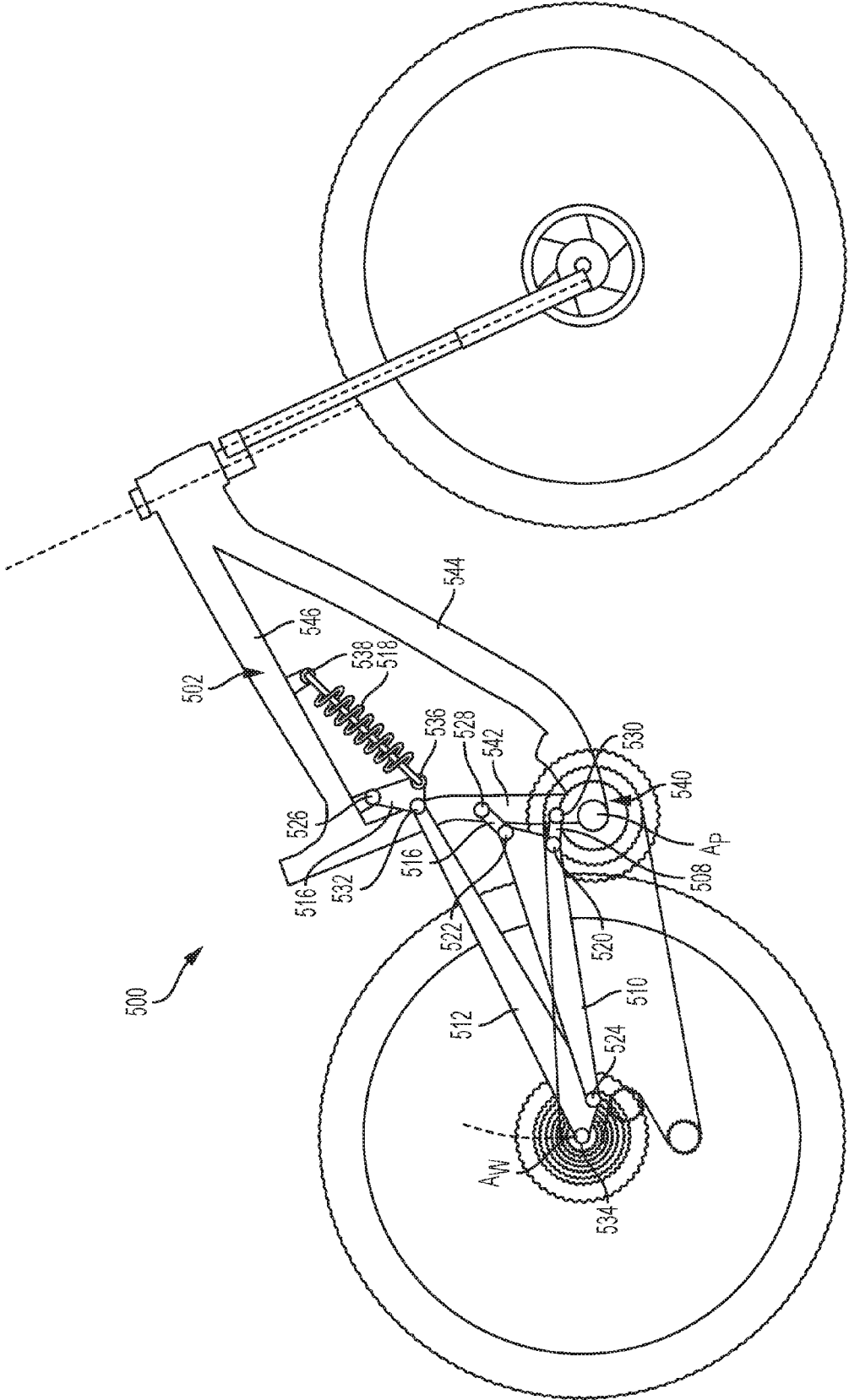


FIG. 14

BICYCLE REAR SUSPENSION SYSTEM**SUMMARY****CROSS-REFERENCES**

[0001] This application claims the benefit under 35 U.S.C. §119(e) of the priority of U.S. Provisional Patent Application Ser. No. 62/370,815, filed Aug. 4, 2016, the entirety of which is hereby incorporated by reference for all purposes.

FIELD

[0002] This disclosure relates to bicycle rear suspension systems. More specifically, the disclosed embodiments relate to bicycles having a rear suspension system comprising a six-bar linkage.

INTRODUCTION

[0003] A bicycle rear suspension system improves bicycle comfort and performance, particularly for mountain bicycles, by allowing the rear wheel of the bicycle to track the terrain to some extent. This improves rider comfort by reducing the jarring effects felt when passing over uneven terrain on a so-called “hard tail” mountain bicycle (i.e., one that lacks a rear suspension system), and improves performance by increasing traction between the bicycle and the terrain while pedaling, turning and braking.

[0004] Various bicycle rear suspension systems have previously been developed. For example, U.S. Pat. No. 5,628,524 to Klassen et al. describes a rear suspension system in which a pair of rotatable links connects the rear triangle of a bicycle to the front triangle and a shock absorber, in a manner resulting in an s-shaped travel path of the rear wheel as the shock absorber is compressed. U.S. Pat. No. 8,066,297 also describes a rear suspension system including a pair of rotatable links connecting the rear triangle to the front triangle and a shock absorber, in which one of the links changes its direction of rotation as the shock absorber is compressed, resulting in improved riding characteristics.

[0005] U.S. Pat. No. 8,998,235 to Beale describes a rear suspension system in which three rotatable linkage members connect the rear wheel of a bicycle to the front triangle and a shock absorber. Systems such as these may be referred to as “four-bar linkage systems,” with the three linkage members accounting for three of the “bars” and the front triangle accounting for the fourth bar. Four-bar linkage systems may have rear wheel and pedal-related variables which are dependent upon variables related to the shock absorber. It may be desirable to have these two sets of variables independent from one another. Systems such as described in U.S. Pat. No. 8,988,235 to Beale may also have acceleration anti-squat values which are related to braking anti-rise values. It may be advantageous to have anti-squat decoupled from anti-rise. These variables and values are described in greater detail below.

[0006] One goal of a rear suspension system such as those described above is to provide a relatively firm response to pedaling inputs, as when ascending or riding on smooth ground, but also to provide a relatively forgiving response to bumps or terrain inputs, as when descending or encountering rough terrain. This reduces the unwanted loss of pedaling energy due to unnecessary shock absorption, while preserving the desirable properties of the suspension system. There remains significant room for improvement in this regard.

[0007] The present disclosure provides systems, apparatuses, and methods relating to rear suspension systems for bicycles.

[0008] In some embodiments, a bicycle may include: a frame including a rigid front triangle; and a rear suspension system having a shock absorber and coupling the front triangle to a rear wheel, the rear suspension in combination with the front triangle comprising a six-bar linkage having exactly two ternary links separated from each other by at least one binary link, such that the two ternary links have no joints in common; wherein a first ternary link of the two ternary links comprises a chain stay link.

[0009] In some embodiments, a bicycle may include: a bicycle frame; and a rear suspension system coupling the bicycle frame to a rear wheel, the rear suspension system in combination with the frame comprising a six-bar linkage, the six-bar linkage including: a chain stay link comprising a first ternary link coupled at a front end portion by a first joint to a first binary link and by a second joint to a second binary link, and coupled at a rear end portion by a third joint to a seat stay link comprising a third binary link; a fourth binary link coupled by a fourth joint to the seat stay link; wherein the first binary link is coupled to the bicycle frame by a fifth joint, the second binary link is coupled to the bicycle frame by a sixth joint, and the fourth binary link is coupled to the bicycle frame by a seventh joint, such that the bicycle frame is a second ternary link of the six-bar linkage; and a shock absorber coupling the fourth binary link to the bicycle frame.

[0010] In some embodiments, a bicycle may include: a bicycle frame; and a rear suspension system coupling the bicycle frame to a rear wheel, the rear suspension system in combination with the frame comprising a six-bar linkage, the six-bar linkage including: a chain stay link comprising a first ternary link coupled at a front end portion by a first joint to a first binary link and by a second joint to a second binary link, and coupled at a rear end portion by a third joint to a seat stay link comprising a third binary link; a rocker arm coupled by a fourth joint to the seat stay link; wherein the first binary link is coupled to the rocker arm by a fifth joint, the second binary link is coupled to the bicycle frame by a sixth joint, and the rocker arm is coupled to the bicycle frame by a seventh joint, such that the rocker arm comprises a second ternary link of the six-bar linkage and the bicycle frame comprises a fourth binary link of the six-bar linkage; and a shock absorber coupling the fourth binary link to the bicycle frame.

[0011] Features, functions, and advantages may be achieved independently in various embodiments of the present disclosure, or may be combined in yet other embodiments, further details of which can be seen with reference to the following description and drawings.

BRIEF DESCRIPTION OF THE DRAWINGS

[0012] FIG. 1 is a schematic right side view of portions of an embodiment of a rear suspension bicycle according to aspects of the present teachings, showing a shock absorber in a substantially uncompressed state.

[0013] FIG. 2 is a schematic right side view of the rear suspension bicycle of FIG. 1, showing the shock absorber in a partially compressed state.

[0014] FIG. 3 is a schematic right side view of the rear suspension bicycle of FIG. 1, showing the shock absorber in a substantially fully compressed state.

[0015] FIG. 4 is an illustrative chart depicting dCSL vs. vertical wheel travel for the bicycle of FIG. 1.

[0016] FIG. 5 is an illustrative chart depicting leverage ratio vs. vertical wheel travel for the bicycle of FIG. 1.

[0017] FIG. 6 is a schematic right side view of portions of another embodiment of a rear suspension bicycle, showing a shock absorber in a substantially uncompressed state, according to aspects of the present teachings.

[0018] FIG. 7 is a schematic right side view of the rear suspension bicycle of FIG. 6, showing the shock absorber in a substantially fully compressed state.

[0019] FIG. 8 is a schematic right side view of portions of another embodiment of a rear suspension bicycle, showing a shock absorber in a substantially uncompressed state, according to aspects of the present teachings.

[0020] FIG. 9 is a schematic right side view of the rear suspension bicycle of FIG. 8, showing the shock absorber in a substantially fully compressed state.

[0021] FIG. 10 is an illustrative chart depicting dCSL vs. vertical wheel travel for the bicycle of FIG. 8.

[0022] FIG. 11 is an illustrative chart depicting leverage ratio vs. vertical wheel travel for the bicycle of FIG. 8.

[0023] FIG. 12 is a schematic right side view of portions of another embodiment of a rear suspension bicycle, showing a shock absorber in a substantially uncompressed state, according to aspects of the present teachings.

[0024] FIG. 13 is a schematic right side view of the rear suspension bicycle of FIG. 12, showing the shock absorber in a substantially fully compressed state.

[0025] FIG. 14 is a schematic right side view of portions of another embodiment of a rear suspension bicycle, showing a shock absorber in a substantially uncompressed state, according to aspects of the present teachings.

DESCRIPTION

[0026] Various aspects and examples of a bicycle having a six-bar linkage rear suspension connecting a rear wheel of the bicycle to the front triangle and a shock absorber, as well as related methods, are described below and illustrated in the associated drawings. Unless otherwise specified, a rear suspension bicycle in accordance with aspects of the present disclosure, and/or its various components may, but are not required to, contain at least one of the structure, components, functionality, and/or variations described, illustrated, and/or incorporated herein. Furthermore, unless specifically excluded, the process steps, structures, components, functionalities, and/or variations described, illustrated, and/or incorporated herein in connection with the present teachings may be included in other similar devices and methods, including being interchangeable between disclosed embodiments. The following description of various examples is merely illustrative in nature and is in no way intended to limit the disclosure, its application, or uses. Additionally, the advantages provided by the examples and embodiments described below are illustrative in nature and not all examples and embodiments provide the same advantages or the same degree of advantages.

Definitions

[0027] The following definitions apply herein, unless otherwise indicated.

[0028] “Substantially” means to be more-or-less conforming to the particular dimension, range, shape, concept, or other aspect modified by the term, such that a feature or component need not conform exactly. For example, a “substantially cylindrical” object means that the object resembles a cylinder, but may have one or more deviations from a true cylinder.

[0029] “Comprising,” “including,” and “having” (and conjugations thereof) are used interchangeably to mean including but not necessarily limited to, and are open-ended terms not intended to exclude additional, unrecited elements or method steps.

[0030] Terms such as “first”, “second”, and “third” are used to distinguish or identify various members of a group, or the like, and are not intended to show serial or numerical limitation.

[0031] “Coupled” means connected, either permanently or releasably, whether directly or indirectly through intervening components.

[0032] Furthermore, the present disclosure generally relates to a bicycle rear suspension system having particularly desirable riding characteristics. These characteristics result from a particular configuration of frame portions and linkage members that will be described using various terms that have standard meanings in the field of suspension systems. These terms include:

[0033] “Instant center” means the intersection point of two lines, each of which represents the linear extension of one of the linkage members in the suspension system. Note that a six-bar linkage system may have a plurality of instant centers.

[0034] “Center of curvature” means the center of a circle that intersects the axle of the rear wheel of the bicycle and has a radius determined from the instantaneous travel path of the rear wheel.

[0035] “Shock rate” means the ratio of shock compression distance to rear wheel travel distance.

[0036] “Sag” means the compression of the shock absorber when the shock absorber is compressed by the weight of the rider on the bike.

[0037] “Chainstay length” or “CSL” means the distance from the axis of the bicycle bottom bracket (i.e., the axis around which both pedals rotate) to the rear wheel axis.

[0038] “Chainstay lengthening” or “dCSL” means the rate of change of chainstay length as the shock is compressed, or alternatively as the rear wheel of the bicycle moves vertically upward. The rate of change of chainstay length may be computed relative to vertical wheel travel distance.

[0039] “d²CSL” means the rate of change of dCSL as the shock is compressed or as the rear wheel of the bicycle moves vertically upward. The rate of change of dCSL may be computed relative to vertical wheel travel distance.

[0040] “Braking anti-rise” is a measure of the suspension system’s response to braking, and is defined as a ratio calculated as follows. First, a line is drawn between the point of contact of the rear wheel with the ground and the instant center (defined above). Then the intersection of this line with a vertical line passing through the front wheel axle is found. The height of this intersection point above the ground divided by the height of the center of gravity of the bicycle

and the rider is the braking anti-rise value. It is frequently multiplied by 100 and expressed as a percentage.

[0041] “Acceleration anti-squat” is a measure of the suspension system’s response to acceleration, and is defined as a ratio calculated as follows. First, a line is drawn between the rear wheel axis and the instant center (defined above). A second line is drawn as the chain force line between the front chainring and the rear cassette gear (for a given gear ratio). A third line is then drawn through the intersection of the first line (rear wheel point of contact to instant center) and the second line (chain drive force line) and the rear wheel point of contact. Then the intersection of the third line with a vertical line passing through the front wheel axle is found. The height of this intersection point above the ground divided by the height of the center of gravity of the bicycle and the rider is the acceleration anti-squat value. It is frequently multiplied by one hundred, and expressed as a percentage.

[0042] A “Stephenson chain” is a type of six-bar linkage having one four-bar loop and one five-bar loop, the linkage including two ternary (i.e., three-joint) links that are separated from each other by one or more binary (i.e., two-joint) links. Unlike the Watt type of six-bar linkage, the two ternary links of a Stephenson chain are not connected to each other by a shared joint (i.e., no joints in common).

Overview

[0043] In general, bicycle rear suspension systems of the present disclosure may include a six-bar linkage connecting a front triangle of the bike frame to the rear wheel. Links of the six-bar linkage may have varying lengths and arrangements. In general, a planar, one degree-of-freedom linkage in the general form known as a Stephenson chain may be utilized, with two ternary links separated by one or more binary links. For example, a so-called “Stephenson II” or “Stephenson III” topology may be utilized. Motion of the linkage may be dampened, e.g., by a shock absorber device coupled to one or more of the links.

[0044] Use of a six-bar linkage in accordance with aspects of the present disclosure may provide an improved rear suspension as compared to other topologies. Typical four-bar suspension systems have an inherent dependency characteristic present in all of the tuned variables of the system. Specifically, in four-bar suspension systems, if one of the performance variables changes significantly as the suspension moves from full extension to full compression, then other variables will as well. For example, there is a relationship between dCSL and the shock rate, and there is a relationship between pedaling anti-squat and shock rate.

[0045] Six-bar systems according to the present teachings allow for greater separation of pedal performance variables from shock performance variables, essentially giving the system one characteristic for pedaling performance and a separate characteristic for shock performance. Because of the increased number of links in the linkage, it is possible to have high rates of change in chain growth (dCSL and d²CSL)—a desirable goal for pedaling performance—while having very linear (or at least monotonic) changes in shock rate/leverage ratio—a desirable goal for shock tuning. Accordingly, the shock rate can be tuned independently from dCSL and independently from the anti-squat.

[0046] Because there is separation between pedal performance variables and shock tuning variables, it is possible to adjust the geometry of the bike (primarily by changing the

position of the rear axle relative to the bottom bracket) without making changes to the shock rate. Geometry can be adjusted more easily for different sizes of bikes without changing key kinematic relationships of the suspension system.

Examples, Components, and Alternatives

[0047] The following sections describe selected aspects of exemplary rear suspension systems for bicycles, as well as related systems and/or methods. The examples in these sections are intended for illustration and should not be interpreted as limiting the entire scope of the present disclosure. Each section may include one or more distinct embodiments or examples, and/or contextual or related information, function, and/or structure.

A. First Illustrative Embodiment

[0048] This example describes an illustrative rear suspension bicycle; see FIGS. 1-2.

[0049] FIGS. 1 through 3 depict a schematic right side view of portions of an embodiment of a rear suspension bicycle, generally indicated at **100**. For simplicity, FIG. 1 shows portions of the frame of the bicycle. Remaining portions of the bicycle, such as a seat, handlebars, wheels, gears, derailleurs, etc., are unrelated to the present teachings and are either not shown or are only shown schematically. These components are well known in the bicycle art.

[0050] Bicycle **100** includes a front triangle **102**, a rear wheel **104** having a rear wheel axis A_W , and a rear triangle, generally indicated at **106**. Rear triangle **106** comprises a six-bar linkage having a Stephenson III topology, with five links that move relative to a stationary or ground link formed by the front triangle (i.e., the frame, in this case the seat tube). Accordingly, bicycle **100** includes a first link **108**, a second link **110**, a third link **112**, a fourth link **114**, and a fifth link **116**, each of which comprises a respective, single, substantially rigid member pivotably coupled to one or more of the other links as described below. Second link **110** may be described as a chain stay link, because it is in a frame position typical of a bicycle chain stay. Similarly, third link **112** may be described as a seat stay link, because it is in a frame position typical of a bicycle seat stay. Bicycle **100** further includes a shock absorber **118**, which is coupled to the linkage at a forward extension of link **114** as shown in FIG. 1. Generally, the first through fifth links (also referred to as linkage members) allow the rear wheel axis A_W to move relative to the front triangle as the shock absorber is compressed. Said another way, the rear wheel pivots relative to the front triangle as a result of the linkage, and this motion is dampened and, in part, limited by shock absorber **118**.

[0051] In some examples, certain features of bicycle **100** may be symmetric with respect to the plane defined by the bicycle. For example, any of the first through fifth links **108**, **110**, **112**, **114**, and **116** may be right-hand links and bicycle **100** may further include corresponding left-hand links. The left-hand links may be mirror images of the right-hand links and may otherwise be identical. In some cases, a left-hand link and a right-hand link may form a substantially rigid, symmetric, link extending on both left and right sides of the bicycle. Accordingly, any description of a link should be understood to apply equally well to its symmetric counterpart or to one side of a single, symmetric link.

[0052] In some examples, certain features of bicycle **100** may be asymmetric with respect to the plane defined by the bicycle. In particular, a right-hand component and a left-hand component may have a same projection into the plane defined by the bicycle but may each be disposed a different distance away from the plane of the bicycle. That is, one side of the bicycle may have one or more components closer to or farther from the center line of the bicycle to accommodate, for example, the drivetrain which is usually disposed on only one side of the bicycle. In some examples, a component on one side of the bicycle may be curved while the corresponding component on the other side of the bicycle may be straight.

[0053] With continuing reference to FIGS. 1-3, an overview of the six links and seven joints of the six-bar linkage will now be provided. In general, any or all of the joints (also referred to as pivotal connections) may include suitable bearings, collets, and/or the like. In this example, second link **110** and the frame of front triangle **102** are each ternary links, i.e., having three pivoting joints connecting each of them to other links of the linkage. Specifically, second link **110** is coupled at a front end to first link **108** by a first rotating joint **120** and to fifth link **116** by a second rotating joint **122**, and further coupled at a rear end to third link **112** by a third rotating joint **124**. Front triangle **102** is coupled to fourth link **114** by a fourth rotating joint **126**, to fifth link **116** by a fifth rotating joint **128**, and to first link **108** by a sixth rotating joint **130**.

[0054] Accordingly, the four binary links are connected in the linkage as follows. Binary link **108** is coupled at a front end to the front triangle by joint **130** and at a rear end to the second link by joint **120**. Binary link **116** is coupled at a front end to the front triangle by joint **128** and at a rear end to the second link by joint **122**. Finally, binary link **112** is joined to binary link **114** by a seventh rotating joint **132**, and to ternary link **110** by joint **124**.

[0055] Due to the spacing of joints **120** and **122**, second link **110** has a generally triangular shape, as shown in FIGS. 1-3. However, link **110** may be shaped in any suitable manner that comports with the triangular relationship between its three joints.

[0056] For example, link **110** may have a solid triangular shape, may be formed of three legs or members arranged in a triangle, or may include fewer or more legs arranged in a rigid formation facilitating the spacing of joints **120**, **122**, and **124**. For simplicity, link **110** is shown as a rigid, triangular structure.

[0057] In addition to the links and joints that comprise the overall six-bar linkage, other connections and features may be present to facilitate use of the linkage in a rear suspension system. For example, third link **112** is a binary link, but includes an additional rotational joint **134** at axis A_W where rear wheel **104** is coupled to the suspension. Joint **134** is proximate to but offset from third rotating joint **124** by a selected distance, e.g., to avoid interference between the wheel axle/hub and the linkage. In some examples, this selected distance is less than approximately 200 mm.

[0058] In some examples, this selected distance is less than approximately 100 mm. The selected distance may be measured center-to-center on the joints. In some examples, rear wheel **104** may be connected to the chain stay link (i.e., second link **110**) instead of the seat stay link (i.e., third link **112**) in a similar fashion.

[0059] Accordingly, third link **112** is also shown as a rigid triangular arrangement of three members, but may include any suitable shape or number of structural members configured to maintain the relationship between the rotating joints. Additionally, fourth link **114** extends forward of fourth rotating joint **126**, creating a pivoting rocker arm having its fulcrum at joint **126**. At the forward end of the rocker arm, a pivotal connection **136** couples link **114** to shock absorber **118**, thereby providing a mechanical dampener for the linkage by affecting rotation of link **114**.

[0060] Front triangle **102** includes a bottom bracket shell **140** defining a pedaling axis A_P , a seat tube **142** providing for attachment of a seat post (not shown), a down tube **144**, and a top tube **146**. Shock absorber **118** may be disposed in front of the seat tube and the shock absorber may have a substantially vertical orientation, e.g., generally parallel to the seat tube. A pivotal connection **138** couples the shock absorber and the front triangle, and is disposed on down tube **144** proximate bottom bracket shell **140**.

[0061] The depicted generally vertical disposition and orientation of the shock absorber in FIG. 1 may have several advantages. In other existing rear suspension bicycles the shock absorber is often attached to the front triangle via the top tube. Coupling the shock absorber to the top tube imparts forces on the top tube that may require a reinforced structure, which may increase the weight of the front triangle. In contrast, as shown in FIG. 1, coupling the shock absorber to the down tube facilitates a lighter top tube.

[0062] Another advantage to orienting shock absorber **118** in a generally vertical orientation proximate the seat tube is the space afforded within the front triangle for other items, such as water bottles, battery packs, etc. That is, bicycle **100** may have an empty space **148** between top tube **146** and down tube **144**. Empty space **148** may accommodate a water bottle cage (not shown) which could be attached to the down tube (as is common in standard bicycles). Other existing rear suspension bicycles having a shock absorber coupled to the top tube typically do not have an empty space within the front triangle large enough to accommodate a water bottle cage.

[0063] Shock absorber **118** is configured to attach via pivotal connection **138** to front triangle **102** and via pivotal connection **136** to the fourth link (i.e., the front end portion of the rocker arm). The shock absorber may be coupled to the six-bar linkage of rear triangle **106** via the fourth link, and is therefore operatively connected to both the front triangle and the rear triangle. During operation of the bicycle, the shock absorber controls the rate and amount of compression of the suspension system due to inputs from bumps and uneven terrain, and thus controls movement of the rear wheel **104** relative to the front triangle **102**. The shock absorber typically includes a spring and a damper, or analogous components that function similarly.

[0064] Bicycle **100** may comprise a system, including the six-bar linkage defined by the five links and the front triangle, along with the shock absorber, having one degree of freedom. In other words, a single parameter is needed to specify the spatial pose of the linkage. That is, once a position and orientation any one of the first through fifth links (and/or the shock absorber) is known relative to the front triangle, then a position and orientation of the remainder of the first through fifth links (and/or the shock absorber) may be determined.

[0065] The six-bar linkage may be configured such that rear wheel rotation axis A_W traces a non-circular arc when the shock absorber moves between an uncompressed state and a compressed state. The center of curvature, defined above, for the non-circular arc may move generally forward as the shock absorber is compressed. As the center of curvature moves forward, an instantaneous radius of curvature of the trajectory of the rotation axis may increase. That is, the trajectory of the rotation axis may have relatively more curvature proximate a point of minimum compression and relatively less curvature proximate a point of maximum compression.

[0066] The center of curvature may move from a first location behind pedaling axis A_P to a second location behind, but closer to, the pedaling axis as the shock absorber moves between an uncompressed state and a compressed state. Along with any horizontal movement, the center of curvature may also have vertical movement as the shock absorber is compressed or uncompressed.

[0067] The shock rate, defined above, for rear suspension bicycle **100** may rise generally linearly with respect to vertical wheel travel distance as the shock absorber is compressed from as fully uncompressed state to a fully compressed state. A linearly rising shock rate may be desirable. In some examples, the shock rate may rise monotonically with vertical wheel travel distance, if not strictly linearly.

[0068] A rate of change of chainstay length, i.e. dCSL defined above, with respect to vertical wheel travel distance may be relatively high when the shock absorber is at sag and relatively low when the shock absorber is more deeply compressed. That is, dCSL may vary with compression in a manner that is independent of how shock rate varies with compression. The variation in dCSL with compression may be the opposite of the variation in shock rate with compression. This independence is illustrated for bicycle **100** in the charts of FIGS. **4** and **5**. FIG. **4** is a chart illustrating the change in dCSL vs. rear wheel travel for bicycle **100**, and FIG. **5** is a chart showing the corresponding change in leverage ratio vs. rear wheel travel. Leverage ratio is the mathematical inverse of shock rate.

[0069] The independence of changing shock rate with respect to changing chain stay length is one example of an advantage that six-bar linkage systems may have over linkage systems having fewer links. Namely, systems of the present disclosure may generally separate variables related to the rear wheel and pedaling axes from variables related to the shock absorber. Such rear wheel/pedal related variables may include

[0070] CSL, dCSL, and d^2 CSL, among others, and shock absorber related variables may include quantities such as the shock rate and its inverse, the leverage ratio.

[0071] In contrast, in rear suspension systems having a four-bar linkage, rear wheel and pedal-related variables may be dependent upon shock-related variables. In particular, for a four-bar linkage suspension to have high levels of chain growth at sag and lower levels of chain growth deeper into travel, the shock rate may also need to be higher at sag and lower deeper into its travel.

[0072] FIG. **1** shows rear suspension bicycle **100** where shock absorber **118** is in a substantially uncompressed state. FIG. **2** shows rear suspension bicycle **100** where shock absorber **118** is in a partially compressed state. Finally, FIG. **3** shows bicycle **100** where shock absorber **118** is in a

substantially fully compressed state. In moving from the uncompressed state to the compressed state, first link **108** may first move in a counter clockwise (CCW) direction and then in a clockwise (CW) direction with respect to front joint **130**, when viewed from the right side as shown in FIGS. **1-3**, with the overall movement being CW. Further, second link **110** may move in a CW direction, third link **112** may move in a CW direction, fourth link **114** may move in a CW direction, fifth link **116** may move in a CCW direction, all with respect to their front linkage joints. In addition to rotations of the links, a center of mass of each link may translate relative to the front triangle as the shock absorber compresses. As the shock absorber compresses, rear wheel axis A_W may move closer to seat tube **142**.

[0073] As described above, bicycle **100** may have a plurality of instant centers with respect to various arcuate paths, as each of the links may be extended via a line passing through a pair of pivotal joints of that member, and any two of those lines may cross. An example of an instant center is presently described with respect to FIG. **3**. First link **108** may be extended via a line **L1** passing through its two pivotal connections at joint **130** and joint **120**. Fifth link **116** may be extended via a line **L2** passing through its two pivotal connections at joint **128** and joint **122**. Lines **L1** and **L2** cross at an instant center **160**. It will be appreciated that as the shock absorber is compressed and the first and fifth links rotate, instant center **160** may move correspondingly.

[0074] As mentioned, the first through fifth links may define a plurality of instant centers. Further, a single pair of links may define more than one instant center. For example, second link **110** has three associated joints (**122**, **126**, and **128**). Three lines may extend through a pair of any two of these pivotal connections and each of these three lines may intersect an extension of another link, say fourth link **114**, and define another instant center.

[0075] In some examples there may be three instant centers for a bicycle. In some examples, if one of the plurality of instant centers has a vertical location that is higher than a vertical location of the remainder of the plurality of instant centers, then the instant center having the highest vertical location may be used to determine such values as acceleration anti-squat and/or braking anti-rise, as described below. In some examples, an effective instant center may be determined based on one or more of the plurality of instant centers of the links.

[0076] In some examples, an instant center of bicycle **100** may move rearward from an initial location to a final location as the shock absorber is compressed from a substantially uncompressed state to a substantially fully compressed state. In some examples, the initial location of an instant center may be in front of pedaling axis A_P . In some examples, the final location may be in front of the pedaling axis. An instant center may move in a vertical direction as the shock absorber is compressed.

[0077] As described above, an instant center may be used to define other quantities or variables associated with the rear suspension system, such as acceleration anti-squat and braking anti-rise. An example of determining acceleration anti-squat is presently described.

[0078] A force line **F1** may be drawn connecting rear wheel axis A_W and instant center **160**. A chain force line **F2** may be drawn based on the front chainring and the rear cassette gear. Chain force line **F2** may be parallel to a top portion of the chain between a rear gear and a front gear. An

intersection point **162** is defined where force line **F1** crosses chain force line **F2**. A point of contact **164** (i.e., a contact patch) is defined between rear wheel **104** and ground **166**. A line **L3** is drawn between point of contact **164** and intersection point **162**. A vertical line **L4** passes through an axle **168** of a front wheel **170** of the bicycle. An intersection **172** of line **L3** and line **L4** defines the acceleration anti-squat value as the height **H1** of intersection **172** above ground **166**. Height **H1** may be divided by a height **H2** of the combined center of gravity of the bicycle and the rider and multiplied by 100 in order to express the anti-squat value as a percentage. The acceleration anti-squat value may depend upon which instant center is being considered, which gears are engaged by the chain, the size of the rider, and the compression of shock absorber **118**.

[0079] In some examples, the acceleration anti-squat value may decrease as the shock absorber is compressed. In some examples, the acceleration anti-squat value may decrease from a value substantially equal to 100% to a value of substantially equal to zero as the shock absorber is compressed from a fully uncompressed state to a fully compressed state. In some examples, acceleration anti-squat values greater than 100% are possible if the height **H1** of intersection **172** is greater than the height **H2** of the center of gravity. In some examples, acceleration anti-squat values less than zero are possible if intersection **172** is below ground level.

[0080] An example of determining braking anti-rise is presently described. A line **L5** may be drawn between point of contact **164** and instant center **160**. An intersection **174** is where line **L5** crosses line **L4**. A height **H3** of intersection **174** above ground **166** is the braking anti-rise value. This value may be divided by the height **H2** of the center of gravity and multiplied by 100 in order to express the braking anti-rise as a percentage. The braking anti-rise value may depend upon which instant center is being considered, the size of the rider, and the compression of shock absorber **118**.

[0081] In some examples of bicycle **100**, the braking anti-rise value may have a period of decrease followed by a period of increase as the shock absorber is compressed from a fully uncompressed state to a fully compressed state. In some examples, the acceleration anti-squat value may be decoupled from the braking anti-rise value as the shock absorber is compressed. In particular, if the acceleration anti-squat value generally decreases, while the braking anti-rise value decreases and then increases as the shock absorber is compressed, then the acceleration anti-squat value may not depend upon the braking anti-rise value.

[0082] It may be advantageous to have the acceleration anti-squat value decoupled from the braking anti-rise value. In systems having only three pivotal links the acceleration anti-squat values are often related to the braking anti-rise values. In systems having five pivotal links as described herein, the acceleration anti-squat values may be unrelated to the braking anti-rise values for any particular configuration of the five movable links.

[0083] Based on the above, this embodiment may be described as a bicycle having a rear suspension system with a generally linear (or monotonically changing) shock rate, a higher rate of chain stay lengthening in the statically-loaded sag point, and a rear wheel axle disposed on the seat stay link, where the rotating joint between the seat stay link and

the chain stay link is located within no more than approximately 100 mm (or in some examples no more than approximately 200 mm).

[0084] In this and other embodiments described herein, the seat stay link and the chain stay link are both significantly longer than the remaining movable links. In some examples, the lengths of the seat stay link and the chain stay link are a dominant or major contributing factor to the longitudinal position of the rear wheel relative to the frame and front wheel of the bike. Accordingly, the seat stay link and the chain stay link may be described as being coupled to the frame by the three other movable (in this case binary) links. However, various length combinations and relationships between the various links are possible and within the scope of the present disclosure.

B. Additional Illustrative Embodiments

[0085] This section describes various additional embodiments of rear suspensions for bicycles according to aspects of the present teachings; see FIGS. 6-14. All of these additional embodiments may exhibit one or more of the characteristics described above, including (i) pedaling-related variables may be separate or decoupled from shock-related variables, (ii) a change in shock rate or leverage ratio may be independent of a rate of change of chainstay length (dCSL), (iii) generally linear or monotonic increasing shock rate with vertical wheel travel, (iv) decreasing chain growth with vertical wheel travel, and (v) a decreasing anti-squat value as the shock absorber is compressed.

[0086] FIGS. 6 and 7 are schematic depictions of another illustrative rear suspension bicycle **200**, which is similar to bicycle **100** and also comprises an example of a Stephenson III topology. Similar components of bicycle **200** are named and numbered as their substantially similar counterparts in bicycle **100**. For example, front triangle **202** is similar to front triangle **102**, and is joined to rear wheel **204** by rear triangle **206**, corresponding to rear wheel **104** and rear triangle **106**. Other than as described below, correspondingly numbered components are substantially as described above. FIG. 6 shows bicycle **200** with a shock absorber **218** in a substantially uncompressed state and FIG. 7 shows bicycle **200** with shock absorber **218** in a substantially fully compressed state.

[0087] Bicycle **200** may differ from bicycle **100** in the exact disposition and orientation of the first through fifth links, here referred to as links **208**, **210**, **212**, **214**, and **216**. For example, first link **208** and fifth link **216** in this example are joined to the bike frame more closely together than in the example of bicycle **100**. Specifically, the forward joints are spaced closer together than are the rear joints of these links. In contrast, joints **128** and **130** are spaced farther apart than joints **120** and **122** (see FIGS. 1-3). As with bicycle **100**, second link **210** may be described as a chain stay link, because it is in a frame position typical of a bicycle chain stay, and third link **212** may be described as a seat stay link, because it is in a frame position typical of a bicycle seat stay.

[0088] With continuing reference to FIGS. 6-7, an overview of the six links and seven joints of this six-bar linkage will now be provided. As described above, any or all of the pivotal connections may include suitable bearings, collets, and/or the like. In this example, second link **210** and the frame of front triangle **202** are each ternary links, i.e., having three pivoting joints connecting each of them to other links of the linkage. Specifically, second link **210** is coupled at a

front end to first link **208** by a first rotating joint **220** and to fifth link **216** by a second rotating joint **222**, and further coupled at a rear end to third link **212** by a third rotating joint **224**. Front triangle **202** is coupled to fourth link **214** by a fourth rotating joint **226**, to fifth link **216** by a fifth rotating joint **228**, and to first link **208** by a sixth rotating joint **230**.

[0089] Accordingly, the four binary links are connected in the linkage as follows. Binary link **208** is coupled at a front end to the front triangle by joint **230** and at a rear end to the second link by joint **220**. Binary link **216** is coupled at a front end to the front triangle by joint **228** and at a rear end to the second link by joint **222**. Finally, binary link **212** is joined to binary link **214** by a seventh rotating joint **232**, and to ternary link **210** by joint **224**.

[0090] Due to the spacing of joints **220** and **222**, second link **210** has a generally triangular shape, as shown in FIGS. 6-7. However, link **210** may be shaped in any suitable manner that comports with the triangular relationship between its three joints.

[0091] For example, link **210** may have a solid triangular shape, may be formed of three legs or members arranged in a triangle, or may include fewer or more legs arranged in a rigid formation facilitating the spacing of joints **220**, **222**, and **224**. For simplicity, link **210** is shown as a rigid, triangular structure.

[0092] In addition to the links and joints that comprise the overall six-bar linkage, other connections and features may be present to facilitate use of the linkage in a rear suspension system. For example, third link **212** is a binary link, but includes an additional rotational joint **234** at axis A_W where rear wheel **204** is coupled to the suspension. Joint **234** is offset from third rotating joint **224**, e.g., to avoid interference between the wheel axle/hub and the linkage. Accordingly, third link **212** is also shown as a rigid triangular arrangement, but may include any suitable shape or number of structural members configured to maintain the relationship between the rotating joints. Additionally, fourth link **214** extends forward of fourth rotating joint **226**, creating a pivoting rocker arm having its fulcrum at joint **226**. At the forward end of the rocker arm, another rotating joint **236** couples link **214** to shock absorber **218**, thereby providing a mechanical dampener for the linkage by affecting rotation of link **214**.

[0093] As the shock absorber moves from the substantially uncompressed state (FIG. 6) to the substantially compressed state (FIG. 7), all five of the movable links rotate in a CW direction with respect to their respective forward joints. In general, because fifth link **216** is coupled to front triangle **202** at a position that is vertically lower than its rear joint **222**, upward motion of the rear wheel causes the rear end of link **216** to pivot upward as well. In contrast, fifth link **116** of bike **100** is coupled to front triangle **102** at a position that is vertically higher than its rear joint **122**, and upward motion of the rear wheel causes the rear end of link **116** to pivot downward.

[0094] In some examples, as shock absorber **218** is compressed from a fully uncompressed state to a fully compressed state a braking anti-rise value may have a period of increase followed by a period of decrease. This may generally be the opposite behavior of the braking anti-rise value of bicycle **100**. However, an acceleration anti-squat value for bicycle **200** may generally decrease with compression of the shock absorber, a behavior that may be substantially similar to bicycle **100**. Again, the difference between bicycle **200**

and bicycle **100** illustrates how, in six-bar rear suspension systems having five movable links, the braking anti-rise value may be decoupled from the acceleration anti-rise value. In contrast, in four-bar rear suspension systems having three movable links, the braking anti-rise value is often coupled to the acceleration anti-rise value.

[0095] FIGS. 8 and 9 are schematic depictions of another illustrative rear suspension bicycle **300**, which is similar to bicycles **100** and **200**, and also comprises an example of a Stephenson III topology. Similar components of bicycle **300** are named and numbered as their substantially similar counterparts in bicycle **100**. For example, front triangle **302** is similar to front triangle **102**, and is joined to rear wheel **304** by rear triangle **306**, corresponding to rear wheel **104** and rear triangle **106**. Other than as described below, correspondingly numbered components are substantially as described above. FIG. 8 shows bicycle **300** with a shock absorber **318** in a substantially uncompressed state and FIG. 9 shows bicycle **300** with shock absorber **318** in a substantially fully compressed state.

[0096] Bicycle **300** may differ from bicycle **100** and bicycle **200** in the exact disposition and orientation of the first through fifth links, here referred to as links **308**, **310**, **312**, **314**, and **316**. For example, the lower front joint of link **310** is generally configured to move into and out of the space between the forward joints of the first and fifth links. In contrast, for example, joint **120** is disposed rearward of joints **128** and **130** at all times. However, upper front joint **122** of link **110** in bicycle **100** does travel into and out of the space between joints **128** and **130**. Accordingly, this portion of the linkage of bicycle **300** may, in some respects, be regarded as an upside down version of the corresponding portion of the linkage of bicycle **100**. As with bicycle **100**, second link **310** may be described as a chain stay link, because it is in a frame position typical of a bicycle chain stay, and third link **312** may be described as a seat stay link, because it is in a frame position typical of a bicycle seat stay.

[0097] With continuing reference to FIGS. 8-9, an overview of the six links and seven joints of this six-bar linkage will now be provided. As described above, any or all of the pivotal connections may include suitable bearings, collets, and/or the like. In this example, second link **310** and the frame of front triangle **302** are each ternary links, i.e., having three pivoting joints connecting each of them to other links of the linkage. Specifically, second link **310** is coupled at a front end to first link **308** by a first rotating joint **320** and to fifth link **316** by a second rotating joint **322**, and further coupled at a rear end to third link **312** by a third rotating joint **324**. Front triangle **302** is coupled to fourth link **314** by a fourth rotating joint **326**, to fifth link **316** by a fifth rotating joint **328**, and to first link **308** by a sixth rotating joint **330**.

[0098] Accordingly, the four binary links are connected in the linkage as follows. Binary link **308** is coupled at a front end to the front triangle by joint **330** and at a rear end to the second link by joint **320**. Binary link **316** is coupled at a front end to the front triangle by joint **328** and at a rear end to the second link by joint **322**. Finally, binary link **312** is joined to binary link **314** by a seventh rotating joint **332**, and to ternary link **310** by joint **324**.

[0099] Due to the spacing of joints **320** and **322**, second link **310** has a generally triangular shape, as shown in FIGS. 8-9. However, link **310** may be shaped in any suitable manner that comports with the triangular relationship between its three joints. For example, link **310** may have a

solid triangular shape, may be formed of three legs or members arranged in a triangle, or may include fewer or more legs arranged in a rigid formation facilitating the spacing of joints **320**, **322**, and **324**. For simplicity, link **310** is shown as a rigid, triangular structure.

[0100] In addition to the links and joints that comprise the overall six-bar linkage, other connections and features may be present to facilitate use of the linkage in a rear suspension system. For example, third link **312** is a binary link, but includes an additional rotational joint **334** at axis A_{334} where rear wheel **304** is coupled to the suspension. Joint **334** is offset from third rotating joint **324**, e.g., to avoid interference between the wheel axle/hub and the linkage. Accordingly, third link **312** is also shown as a rigid triangular arrangement, but may include any suitable shape or number of structural members configured to maintain the relationship between the rotating joints.

[0101] Additionally, fourth link **314** extends forward of fourth rotating joint **326**, creating a pivoting rocker arm having its fulcrum at joint **326**. At the forward end of the rocker arm, another rotating joint **336** couples link **314** to shock absorber **318**, thereby providing a mechanical dampener for the linkage by affecting rotation of link **314**.

[0102] As the shock absorber moves from the substantially uncompressed state (FIG. **8**) to the substantially compressed state (FIG. **9**), all of the movable links rotate in a CW direction with respect to their respective forward joints except first link **308**, which moves in a CCW direction. Upward motion of the rear wheel causes second link **310** to pivot upward, pulling its forward end rearward and pulling joint **320** of first link **308** to the rear as well. This is analogous to the movement of fifth link **116** of bike **100**, which is configured such that upward motion of the rear wheel causes the rear end of link **116** to pivot downward.

[0103] In some examples, as shock absorber **318** is compressed from a fully uncompressed state to a fully compressed state a braking anti-rise value may generally increase. This may generally be different behavior of the braking anti-rise values of bicycle **100** and/or bicycle **200**. However, an acceleration anti-squat value for bicycle **300** may generally decrease with compression of the shock absorber, a behavior that may be substantially similar to bicycle **100**.

[0104] FIGS. **10** and **11** show respective charts of dCSL and leverage ratio vs. vertical wheel travel corresponding to the suspension of bicycle **300**.

[0105] FIGS. **12** and **13** are schematic depictions of a rear suspension bicycle **400**, which is similar to bicycles **100**, **200**, and **300**, but which comprises a Stephenson II topology, as described below. Similar components of bicycle **400** are named and numbered as their substantially similar counterparts in bicycle **100**. For example, front triangle **402** is similar to front triangle **102**, and is joined to rear wheel **404** by rear triangle **406**, corresponding to rear wheel **104** and rear triangle **106**. Other than as described below, correspondingly numbered components are substantially as described above. FIG. **12** shows bicycle **400** with a shock absorber **418** in a substantially uncompressed state and FIG. **13** shows bicycle **400** with shock absorber **418** in a substantially fully compressed state.

[0106] Bicycle **400** may differ from bicycles **100**, **200**, and **300** in the exact disposition and orientation of the first through fifth links, here referred to as links **408**, **410**, **412**, **414**, **416**. Additionally, bicycle **400** may further differ with

respect to which links are coupled to which. In particular, rather than being joined to front triangle **402**, fifth link **416** shares a floating, rotating joint **428** with fourth link **414**. Accordingly, links **410** and **414** are the ternary links in this example, as opposed to link **410** and the bike frame, and the overall topology is that of a Stephenson II chain as opposed to a Stephenson III chain. As with bicycle **100**, second link **410** may be described as a chain stay link, because it is in a frame position typical of a bicycle chain stay, and third link **412** may be described as a seat stay link, because it is in a frame position typical of a bicycle seat stay.

[0107] With continuing reference to FIGS. **12-13**, an overview of the six links and seven joints of this six-bar linkage will now be provided. As described above, any or all of the pivotal connections may include suitable bearings, collets, and/or the like. In this example, second link **410** and fourth link **414** are each ternary links, i.e., having three pivoting joints connecting each of them to other links of the linkage. Specifically, second link **410** is coupled at a front end to first link **408** by a first rotating joint **420** and to fifth link **416** by a second rotating joint **422**, and further coupled at a rear end to third link **412** by a third rotating joint **424**. Fourth link **414** is coupled to front triangle **402** by a fourth rotating joint **426**, to third link **412** by a seventh rotating joint **432**, and to fifth link **416** by joint **428** as described above.

[0108] Accordingly, the four binary links are connected in the linkage as follows. Binary link **408** is coupled at a front end to the front triangle by joint **430** and at a rear end to the second link by joint **420**. Binary link **416**, which is longer than corresponding links **116**, **216**, **316**, is coupled at an upper/front end to the rocker arm (rearward of the main fulcrum) by joint **428** and at a lower/rear end to the second link by joint **422**. Finally, binary link **412** is joined to ternary link **414** by a seventh rotating joint **432**, and to ternary link **410** by joint **424**.

[0109] Due to the spacing of joints **420** and **422**, second link **410** has a generally triangular shape, as shown in FIGS. **12-13**. However, link **410** may be shaped in any suitable manner that comports with the triangular relationship between its three joints. For example, link **410** may have a solid triangular shape, may be formed of three legs or members arranged in a triangle, or may include fewer or more legs arranged in a rigid formation facilitating the spacing of joints **420**, **422**, and **424**. For simplicity, link **410** is shown as a rigid, triangular structure.

[0110] In addition to the links and joints that comprise the overall six-bar linkage, other connections and features may be present to facilitate use of the linkage in a rear suspension system. For example, third link **412** is a binary link, but includes an additional rotational joint **434** at axis A_{334} where rear wheel **404** is coupled to the suspension. Joint **434** is offset from third rotating joint **424**, e.g., to avoid interference between the wheel axle/hub and the linkage. Accordingly, third link **412** is also shown as a rigid triangular arrangement, but may include any suitable shape or number of structural members configured to maintain the relationship between the rotating joints. Additionally, fourth link **414** extends forward of fourth rotating joint **426**, creating a pivoting rocker arm having its fulcrum at joint **426**. At the forward end of the rocker arm, another rotating joint **436** couples link **414** to shock absorber **418**, thereby providing a mechanical dampener for the linkage by affecting rotation of link **414**.

[0111] As the shock absorber moves from the substantially uncompressed state (FIG. 12) to the substantially compressed state (FIG. 13), all five of the movable links rotate in a CW direction with respect to their respective forward joints, and may translate in a generally vertical direction. In some examples, as shock absorber 418 is compressed from a fully uncompressed state to a fully compressed state a braking anti-rise value may have a period of decrease followed by a period of increase. This may qualitatively be similar to behavior of the braking anti-rise values of bicycle 100 and qualitatively different from the behavior of the braking anti-rise values of bicycle 200 and/or bicycle 300. However, an acceleration anti-squat value for bicycle 400 may generally decrease with compression of the shock absorber, a behavior that may be substantially similar to bicycle 100.

[0112] FIG. 14 is a schematic depiction of another rear suspension bicycle 500, which is similar to bicycles 100, 200, 300, 400. Similar components of bicycle 500 are named and numbered as their substantially similar counterparts in bicycle 100. For example, front triangle 502 is similar to front triangle 102, and is joined to rear wheel 504 by rear triangle 506, corresponding to rear wheel 104 and rear triangle 106. Other than as described below, correspondingly numbered components are substantially as described above. FIG. 14 shows bicycle 500 with a shock absorber 518 in a substantially uncompressed state.

[0113] Bicycle 500 may differ from bicycle 100 in the exact disposition and orientation of the first through fifth links, referred to here as links 508, 510, 512, 514, 516, and shock absorber 518. In particular, fourth link 514 may have a different configuration than fourth link 114 and shock absorber 518 may have a different disposition and orientation than shock absorber 118. Additionally, third link 512 may have a greater length than third link 112 as a rotating joint 532 between third link 512 and fourth link 514 may be farther forward than rotating joint 132. As with bicycle 100, second link 510 may be described as a chain stay link, because it is in a frame position typical of a bicycle chain stay, and third link 512 may be described as a seat stay link, because it is in a frame position typical of a bicycle seat stay.

[0114] In this example, fourth link 514 is coupled to a top tube 546 of front triangle 502 and pivots or rocks on an upper rotating joint 526. In contrast, fourth link 114 is coupled to front triangle 102 at rotating joint 126 on seat tube 142. Shock absorber 518 is coupled to fourth link 514 at a rotating joint 536, and to top tube 546 at a rotating joint 538. In contrast, shock absorber 118 is coupled to the front triangle at joint 138 proximate bottom bracket shell 140 and/or down tube 144.

[0115] As shock absorber 518 moves from the substantially uncompressed state shown in FIG. 14 to a substantially compressed state, the rocker arm formed by fourth link 514 rotates in a CCW direction. In contrast, fourth link 114 rotates in a CW direction as shock absorber 118 is compressed.

[0116] It will be appreciated that the first, second, third, and fifth links of bicycle 500 are most similar to the first, second, third, and fifth links of bicycle 100, respectively, and that the primary differences between bicycles 500 and 100 are (a) the CW rotation of the fourth link and (b) the shock absorber being coupled to the top tube. It will also be appreciated that any or all of bicycles 200, 300, and 400 may

also be reconfigured to include a clockwise rotating fourth link and a shock absorber coupled to the top tube as shown in FIG. 14.

D. Additional Examples and Illustrative Combinations

[0117] This section describes additional aspects and features of rear suspension bicycles, presented without limitation as a series of paragraphs, some or all of which may be alphanumerically designated for clarity and efficiency. Each of these paragraphs can be combined with one or more other paragraphs, and/or with disclosure from elsewhere in this application in any suitable manner. Some of the paragraphs below expressly refer to and further limit other paragraphs, providing without limitation examples of some of the suitable combinations.

[0118] A1. A rear suspension bicycle, comprising:

[0119] a front triangle; and

[0120] a first linkage member, a second linkage member, a third linkage member, a fourth linkage member, a fifth linkage member, and a shock absorber;

[0121] wherein the first linkage member has a pivotal connection with the front triangle and a pivotal connection with the second linkage member;

[0122] wherein the second linkage member has a pivotal connection with the first linkage member, a pivotal connection with the third linkage member, and a pivotal connection with the fifth linkage member;

[0123] wherein the third linkage member has a pivotal connection with the second linkage member, a pivotal connection with a rear wheel rotation axis, and a pivotal connection with the fourth linkage member;

[0124] wherein the fourth linkage member has a pivotal connection with the third linkage member, a pivotal connection with the front triangle, and a pivotal connection with the shock absorber;

[0125] wherein the fifth linkage member has a pivotal connection with the second linkage member; and

[0126] wherein the shock absorber has a pivotal connection with the fourth linkage member and a pivotal connection with the front triangle, and is configured to control movement of the first through fifth linkage members relative to the front triangle.

[0127] A2. The rear suspension bicycle of paragraph A1, wherein the fifth linkage member has a pivotal connection with the front triangle.

[0128] A3. The rear suspension bicycle of paragraph A1, wherein the fifth linkage member has a pivotal connection with the fourth linkage member.

[0129] A4. The rear suspension bicycle of paragraph A1, wherein the front triangle includes a seat tube, the shock absorber is disposed in front of the seat tube, and the shock absorber has a substantially vertical orientation.

[0130] A5. The rear suspension bicycle of paragraph A1, wherein the first through fifth linkage members, along with the shock absorber, compose a system having one degree of freedom.

[0131] A6. The rear suspension bicycle of paragraph A1, wherein the first, second, third, fourth, and fifth linkage members and the shock absorber are configured so that the rear wheel rotation axis traces a non-circular arc when the shock absorber moves between an uncompressed state and a compressed state, and wherein an center of curvature for the non-circular arc moves forward as the shock absorber is compressed.

[0132] A7. The rear suspension bicycle of paragraph A1, wherein a shock rate rises generally linearly with respect to vertical wheel travel distance as the shock absorber is compressed from a fully uncompressed state to a fully compressed state.

[0133] A8. The rear suspension bicycle of paragraph A7, wherein a rate of change of chainstay length with respect to vertical wheel travel distance is relatively high when the shock absorber is at sag and relatively low when the shock absorber is more deeply compressed.

[0134] A9. The rear suspension bicycle of paragraph A8, wherein a change in the shock rate with respect to vertical wheel travel distance is independent of a rate of change of a chainstay length with respect to vertical wheel travel distance as the shock absorber is compressed.

[0135] A10. The rear suspension bicycle of paragraph A1, wherein an instant center moves rearward from an initial location in front of a pedaling axis as the shock absorber is compressed.

[0136] A11. The rear suspension bicycle of paragraph A1, wherein the first through fifth linkage members define a plurality of instant centers.

[0137] A12. The rear suspension bicycle of paragraph A1, wherein an acceleration anti-squat value decreases as the shock absorber is compressed.

[0138] A13. The rear suspension bicycle of paragraph A12, wherein the acceleration anti-squat value decreases from a value substantially equal to 100% to a value of substantially equal to zero as the shock absorber is compressed from a fully uncompressed state to a fully compressed state.

[0139] A14. The rear suspension bicycle of paragraph A1, wherein a braking anti-rise value has a period of decrease followed by a period of increase as the shock absorber is compressed from a fully uncompressed state to a fully compressed state.

[0140] A15. The rear suspension bicycle of paragraph A1, wherein a braking anti-rise value has a period of increase followed by a period of decrease as the shock absorber is compressed from a fully uncompressed state to a fully compressed state.

[0141] A16. The rear suspension bicycle of paragraph A1, wherein a braking anti-rise value generally increases as the shock absorber is compressed from a fully uncompressed state to a fully compressed state.

[0142] A17. The rear suspension bicycle of paragraph A1, wherein an acceleration anti-squat value is decoupled from a braking anti-rise value as the shock absorber is compressed.

[0143] B0. A bicycle comprising:

[0144] a frame including a front triangle; and

[0145] a rear suspension system having a shock absorber and coupling the front triangle to a rear wheel, the rear suspension in combination with the front triangle comprising a six-bar linkage having a Stephenson topology.

[0146] B1. The bicycle of B0, wherein the six-bar linkage has a Stephenson III topology.

[0147] B2. The bicycle of B0, wherein the six-bar linkage has a Stephenson II topology.

[0148] C0. A bicycle comprising:

[0149] a frame including a rigid front triangle; and

[0150] a rear suspension system having a shock absorber and coupling the front triangle to a rear wheel, the rear suspension in combination with the front triangle compris-

ing a six-bar linkage having exactly two ternary links separated from each other by at least one binary link, such that the two ternary links have no joints in common;

[0151] wherein a first ternary link of the two ternary links comprises a chain stay link.

[0152] C1. The bicycle of C0, wherein a second ternary link of the two ternary links comprises a portion of the front triangle.

[0153] C2. The bicycle of C1, wherein the portion of the front triangle is a seat tube.

[0154] C2A. The bicycle of C1, wherein the portion of the front triangle is a top tube.

[0155] C3. The bicycle of C0, wherein the chain stay link is coupled at a rear end portion to a seat stay link by a first rotating joint, and coupled at a front end portion to a pair of binary links by a second rotating joint and a third rotating joint, respectively.

[0156] C4. The bicycle of C3, wherein the pair of binary links connect the chain stay link to a second ternary link.

[0157] C5. The bicycle of C4, wherein the second ternary link comprises a portion of the front triangle.

[0158] C6. The bicycle of C3, wherein one link of the pair of binary links connects the chain stay link to the front triangle and the other link of the pair of binary links connects the chain stay link to a second ternary link.

[0159] C7. The bicycle of C0, wherein a second ternary link of the two ternary links comprises a rocker arm coupling a seat stay link to the front triangle.

[0160] C8. The bicycle of C7, wherein the rocker arm is coupled to the front triangle by a rotating joint and by the shock absorber.

[0161] C9. The bicycle of C0, wherein the chain stay link is coupled to the second ternary link by a total of no more than two binary links.

[0162] C10. The bicycle of C9, wherein one of the no more than two binary links is a seat stay link.

[0163] C11. The bicycle of C0, wherein the shock absorber is coupled between a down tube of the front triangle and one of the links of the six-bar linkage.

[0164] C12. The bicycle of C11, wherein the one of the links comprises a rocker arm rotationally joined to a seat tube of the front triangle.

[0165] C13. The bicycle of C0, wherein the six-bar linkage comprises a seat stay link coupled to the chain stay link by a first rotating joint, and the rear tire is coupled to the seat stay link by a second rotating joint that is offset from the first rotating joint by a selected distance.

[0166] C14. The bicycle of C13, wherein the second rotating joint is disposed proximate and rearward of the first rotating joint.

[0167] C15. The bicycle of C13, wherein the selected distance is at most approximately 200 mm.

[0168] D0. A bicycle comprising:

[0169] a bicycle frame; and

[0170] a rear suspension system coupling the bicycle frame to a rear wheel, the rear suspension system in combination with the frame comprising a six-bar linkage, the six-bar linkage including:

[0171] a chain stay link comprising a first ternary link coupled at a front end portion by a first joint to a first binary link and by a second joint to a second binary link, and coupled at a rear end portion by a third joint to a seat stay link comprising a third binary link;

[0172] a fourth binary link coupled by a fourth joint to the seat stay link;

[0173] wherein the first binary link is coupled to the bicycle frame by a fifth joint, the second binary link is coupled to the bicycle frame by a sixth joint, and the fourth binary link is coupled to the bicycle frame by a seventh joint, such that the bicycle frame is a second ternary link of the six-bar linkage; and

[0174] a shock absorber coupling the fourth binary link to the bicycle frame.

[0175] D1. The bicycle of D0, wherein the fourth binary link extends forward of the seventh joint, such that the fourth binary link comprises a rocker arm coupled on one side of the seventh joint to the seat stay link and on the other side of the seventh joint to the shock absorber.

[0176] D2. The bicycle of D1, wherein the shock absorber is connected between the fourth binary link and a down tube of the bicycle frame.

[0177] D3. The bicycle of D0, wherein the rear wheel is rotatably coupled to the seat stay link proximate the third joint.

[0178] D4. The bicycle of D3, wherein an axle of the rear wheel is spaced less than approximately 200 mm from the third joint.

[0179] D5. The bicycle of D0, wherein the seventh joint is on a top tube of the bicycle frame.

[0180] D6. The bicycle of D0, wherein the seventh joint is on a seat tube of the bicycle frame.

[0181] D7. The bicycle of D6, wherein the shock absorber has a generally vertical orientation.

[0182] D8. The bicycle of D6, wherein the shock absorber is generally parallel and adjacent to the seat tube.

[0183] D9. The bicycle of D0, wherein the first and second joints of the chain stay link are spaced farther apart from each other than are the fifth and sixth joints.

[0184] D10. The bicycle of D0, wherein the first and second joints of the chain stay link are spaced more closely together than are the fifth and sixth joints.

[0185] D11. The bicycle of D0, wherein the second joint of the chain stay link is disposed generally between the fifth joint and the sixth joint.

[0186] D12. The bicycle of D0, wherein the suspension is transitionable between an uncompressed configuration, in which the shock absorber is uncompressed and the four binary links and the chain stay link are in respective first positions, and a compressed configuration, in which the shock absorber is compressed and the four binary links and the chain stay link are in respective second positions, each of the second positions being oriented in a clockwise direction relative to the respective first positions when viewed from a right side of the bicycle.

[0187] E0. A bicycle comprising:

[0188] a bicycle frame; and

[0189] a rear suspension system coupling the bicycle frame to a rear wheel, the rear suspension system in combination with the frame comprising a six-bar linkage, the six-bar linkage including:

[0190] a chain stay link comprising a first ternary link coupled at a front end portion by a first joint to a first binary link and by a second joint to a second binary link, and coupled at a rear end portion by a third joint to a seat stay link comprising a third binary link;

[0191] a rocker arm coupled by a fourth joint to the seat stay link;

[0192] wherein the first binary link is coupled to the rocker arm by a fifth joint, the second binary link is coupled to the bicycle frame by a sixth joint, and the rocker arm is coupled to the bicycle frame by a seventh joint, such that the rocker arm comprises a second ternary link of the six-bar linkage and the bicycle frame comprises a fourth binary link of the six-bar linkage; and

[0193] a shock absorber coupling the fourth binary link to the bicycle frame.

[0194] E1. The bicycle of E0, wherein the seventh joint defines a fulcrum of the rocker arm, the rocker arm extending forward of the fulcrum.

[0195] E2. The bicycle of E1, wherein the rocker arm is coupled on a rear side of the fulcrum to the seat stay link and to the chain stay link, and the rocker arm is coupled on a forward side of the fulcrum to the shock absorber.

[0196] E3. The bicycle of E2, wherein the shock absorber is connected between the fourth binary link and a down tube of the bicycle frame.

[0197] E4. The bicycle of E0, wherein the rear wheel is rotatably coupled to the seat stay link proximate the third joint.

[0198] E5. The bicycle of E4, wherein an axle of the rear wheel is spaced less than approximately 200 mm from the third joint.

[0199] E6. The bicycle of E0, wherein the seventh joint is on a top tube of the bicycle frame.

[0200] E7. The bicycle of E0, wherein the seventh joint is on a seat tube of the bicycle frame.

[0201] E8. The bicycle of E7, wherein the shock absorber has a generally vertical orientation.

[0202] E9. The bicycle of E7, wherein the shock absorber is generally parallel and adjacent to the seat tube.

[0203] E10. The bicycle of E0, wherein the first and second joints of the chain stay link are spaced more closely together than are the fifth and sixth joints.

[0204] E11. The bicycle of E0, wherein the second joint of the chain stay link is disposed generally lower than the sixth joint.

[0205] E12. The bicycle of E0, wherein the suspension is transitionable between an uncompressed configuration, in which the shock absorber is uncompressed and the four binary links and the chain stay link are in respective first positions, and a compressed configuration, in which the shock absorber is compressed and the four binary links and the chain stay link are in respective second positions, each of the second positions being oriented in a clockwise direction relative to the respective first positions when viewed from a right side of the bicycle.

Advantages, Features, Benefits

[0206] The different embodiments of the bicycle rear suspension systems described herein provide several advantages over known solutions for providing rear suspension to a bicycle. For example, the illustrative embodiments of rear suspension bicycles described herein allow pedaling-related variables to be decoupled from shock absorber-related variables. Additionally, and among other benefits, illustrative embodiments of the rear suspension bicycles described herein allow for a linearly or monotonically rising shock rate. Additionally, and among other benefits, illustrative embodiments of the rear suspension bicycles described herein allow a change in the shock rate with respect to vertical wheel travel distance to be independent of a rate of

change in chainstay length with respect to vertical wheel travel distance as the shock absorber is compressed. Additionally, and among other benefits, illustrative embodiments of the rear suspension bicycles described herein allow for an empty space between the top tube and the down tube of the front triangle for accommodating other bicycle equipment. No known system or device can perform these functions. However, not all embodiments described herein provide the same advantages or the same degree of advantage.

CONCLUSION

[0207] The disclosure set forth above may encompass multiple distinct examples with independent utility. Although each of these has been disclosed in its preferred form(s), the specific embodiments thereof as disclosed and illustrated herein are not to be considered in a limiting sense, because numerous variations are possible. To the extent that section headings are used within this disclosure, such headings are for organizational purposes only. The subject matter of the disclosure includes all novel and nonobvious combinations and subcombinations of the various elements, features, functions, and/or properties disclosed herein. The following claims particularly point out certain combinations and subcombinations regarded as novel and nonobvious. Other combinations and subcombinations of features, functions, elements, and/or properties may be claimed in applications claiming priority from this or a related application. Such claims, whether broader, narrower, equal, or different in scope to the original claims, also are regarded as included within the subject matter of the present disclosure.

What is claimed is:

1. A bicycle comprising:
 - a bicycle frame including a front triangle; and
 - a rear suspension system having a shock absorber and coupling the front triangle to a rear wheel, the rear suspension in combination with the front triangle comprising a six-bar linkage having exactly two ternary links separated from each other by at least one binary link, such that the two ternary links have no joints in common;
 wherein a first ternary link of the two ternary links comprises a chain stay link.
2. The bicycle of claim 1, wherein a second ternary link of the two ternary links comprises the front triangle.
3. The bicycle of claim 1, wherein the chain stay link is coupled at a rear end portion to a seat stay link by a first rotating joint, and coupled at a front end portion to a pair of binary links by a second rotating joint and a third rotating joint, respectively.
4. The bicycle of claim 3, wherein the pair of binary links connect the chain stay link to a second ternary link.
5. The bicycle of claim 4, wherein the second ternary link comprises the front triangle.
6. The bicycle of claim 3, wherein one link of the pair of binary links connects the chain stay link to the front triangle and the other link of the pair of binary links connects the chain stay link to a second ternary link.
7. The bicycle of claim 1, wherein the shock absorber is coupled between a down tube of the front triangle and one of the links of the six-bar linkage.
8. The bicycle of claim 1, wherein the six-bar linkage comprises a seat stay link coupled to the chain stay link by a first rotating joint, and the rear wheel is coupled to the seat

stay link by a second rotating joint that is offset from the first rotating joint by a selected distance.

9. The bicycle of claim 8, wherein the selected distance is at most approximately 200 mm.

10. A bicycle comprising:

- a bicycle frame; and
- a rear suspension system coupling the bicycle frame to a rear wheel, the rear suspension system in combination with the frame comprising a six-bar linkage, the six-bar linkage including:

- a chain stay link comprising a first ternary link coupled at a front end portion by a first joint to a first binary link and by a second joint to a second binary link, and coupled at a rear end portion by a third joint to a seat stay link comprising a third binary link;

- a fourth binary link coupled by a fourth joint to the seat stay link;

wherein the first binary link is coupled to the bicycle frame by a fifth joint, the second binary link is coupled to the bicycle frame by a sixth joint, and the fourth binary link is coupled to the bicycle frame by a seventh joint, such that the bicycle frame is a second ternary link of the six-bar linkage; and

- a shock absorber coupling the fourth binary link to the bicycle frame.

11. The bicycle of claim 10, wherein the fourth binary link extends forward of the seventh joint, such that the fourth binary link comprises a rocker arm coupled on one side of the seventh joint to the seat stay link and on the other side of the seventh joint to the shock absorber.

12. The bicycle of claim 10, wherein the rear wheel is rotatably coupled to the seat stay link proximate the third joint.

13. The bicycle of claim 10, wherein the seventh joint is on a seat tube of the bicycle frame, and the shock absorber is generally parallel and adjacent to the seat tube.

14. The bicycle of claim 10, wherein the first and second joints of the chain stay link are spaced farther apart from each other than are the fifth and sixth joints.

15. A bicycle comprising:

- a bicycle frame; and
- a rear suspension system coupling the bicycle frame to a rear wheel, the rear suspension system in combination with the frame comprising a six-bar linkage, the six-bar linkage including:

- a chain stay link comprising a first ternary link coupled at a front end portion by a first joint to a first binary link and by a second joint to a second binary link, and coupled at a rear end portion by a third joint to a seat stay link comprising a third binary link;

- a rocker arm coupled by a fourth joint to the seat stay link; wherein the first binary link is coupled to the rocker arm by a fifth joint, the second binary link is coupled to the bicycle frame by a sixth joint, and the rocker arm is coupled to the bicycle frame by a seventh joint, such that the rocker arm comprises a second ternary link of the six-bar linkage and the bicycle frame comprises a fourth binary link of the six-bar linkage; and

- a shock absorber coupling the fourth binary link to the bicycle frame.

16. The bicycle of claim 15, the rocker arm extending forward of the seventh joint such that the seventh joint defines a fulcrum of the rocker arm, wherein the rocker arm is coupled on a rear side of the fulcrum to the seat stay link

and to the chain stay link, and the rocker arm is coupled on a forward side of the fulcrum to the shock absorber.

17. The bicycle of claim **15**, wherein the rear wheel is rotatably coupled to the seat stay link proximate the third joint.

18. The bicycle of claim **15**, wherein the seventh joint is on a seat tube of the bicycle frame.

19. The bicycle of claim **15**, wherein the shock absorber is generally parallel and adjacent to a seat tube of the frame.

20. The bicycle of claim **15**, wherein the first and second joints of the chain stay link are spaced more closely together than are the fifth and sixth joints.

* * * * *